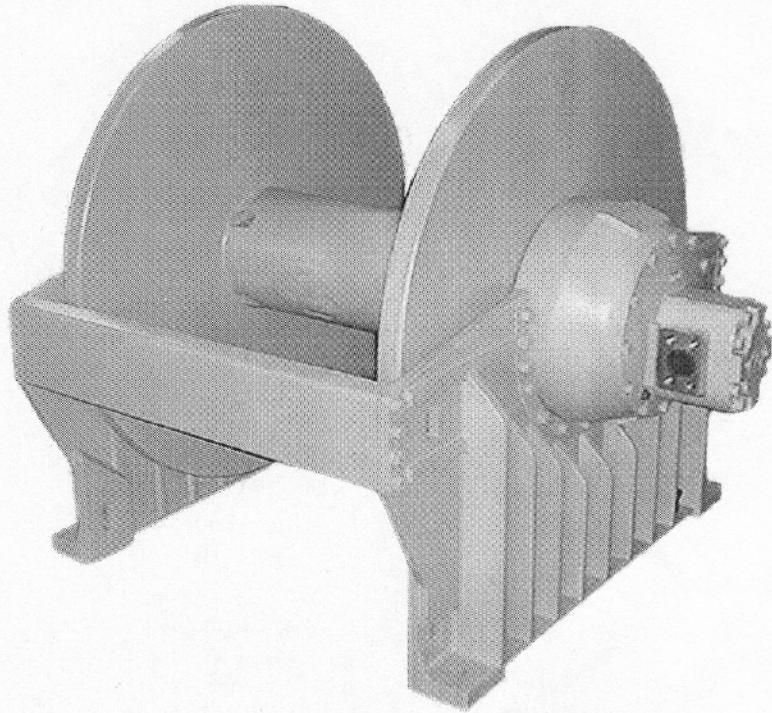


H30

PHULL

MASTER



H30-7-86-51 HYDRAULIC PLANETARY WINCH
H30-7-86-52 HYDRAULIC PLANETARY WINCH

THE LOGICAL CHOICE

STATE • OF • THE • ART • HYDRAULIC • WINCHES

H30-7-86-51/52 HYDRAULIC PLANETARY WINCH

The -51 & -52 drums were developed for fishermen with a need for more cable storage than that provided by standard Model H25 winch drums. The model H30 is a high performance, high efficiency planetary winch with a Rapid Reverse feature that provides for reverse or lowering speeds 4.67 times faster than forward or hoisting line speeds. The automatic, multi-disc brake of this unit is effective in one direction only and achieves an exceptionally smooth lowering control of a load in a stepless operation. Only loads reduced by a factor of 4.6 of the maximum capacity of the winch can be safely lowered at maximum reversing speed.

The PULLMASTER Model H30 planetary winch is powered by a hydraulic gear motor and the required gear ratio of 40.8:1 is established by two planetary stages. The hydraulic motor drives into the planetary reductions. When forward rotation is stopped an over-running clutch between the brake assembly and the motor drive will lock and the multi-disc brake will safely hold the maximum load. The multi-disc brake is spring applied and pressure-released. When the hydraulic motor is powered for reverse or lowering, the brake is released automatically and is then modulated for the desired lowering speed by a single control lever. A counter-balance valve is not required for dynamic braking. All moving parts of the PULLMASTER Model H30 planetary hydraulic winch are totally enclosed and run in an oil bath, assuring long, trouble-free service with a minimum requirement for maintenance.

CABLE STORAGE CAPACITY AND PERFORMANCE

Based on maximum hydraulic flow of 115 US gpm and maximum pressure of 2500 psi using 7/8" wire rope

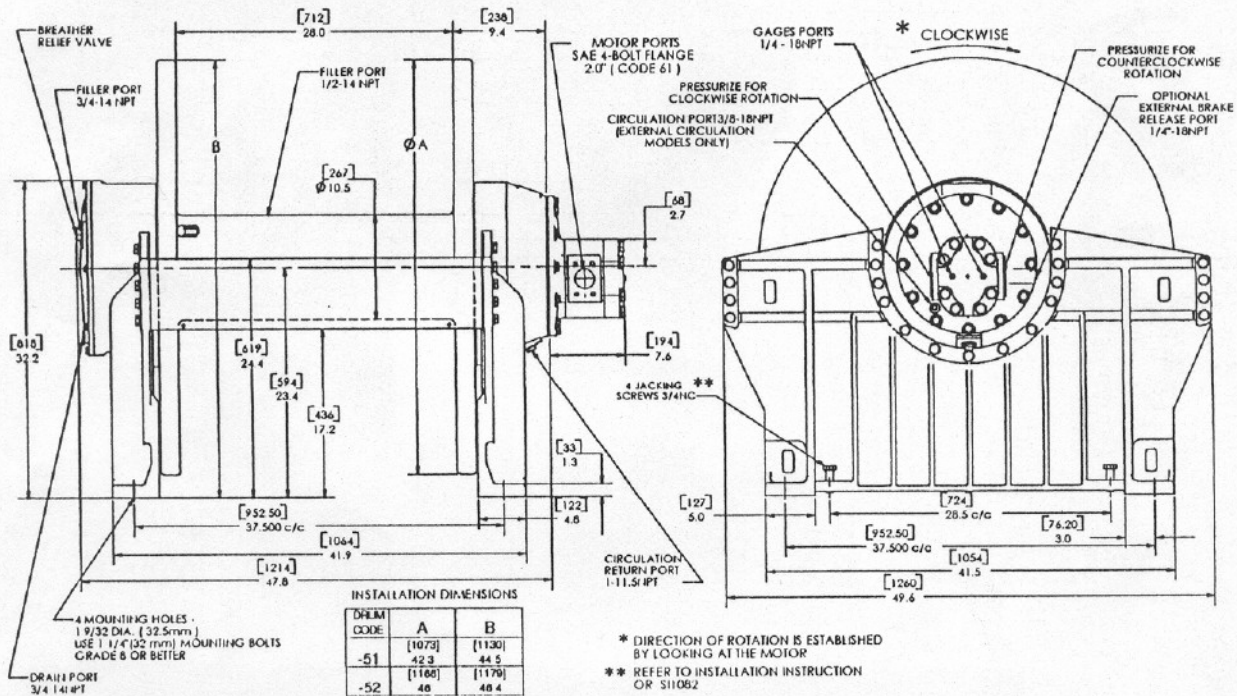
| MODEL NUMBER | BARE DRUM | | | MEAN DRUM | | | FULL DRUM | | |
|--------------|-----------|------------|---------|-----------|------------|----------|-----------|------------|-----------|
| | LINE PULL | LINE SPEED | | LINE PULL | LINE SPEED | | LINE PULL | LINE SPEED | |
| | | FORWARD | REVERSE | | FORWARD | REVERSE | | FORWARD | REVERSE |
| H30-7-86-51 | 25,000 lb | 146 fpm | 681 fpm | 15,884 lb | 330 fpm | 1543 fpm | 6,768 lb | 515 fpm | 2,405 fpm |
| H30-7-86-52 | 25,000 lb | 146 fpm | 681 fpm | 15,540 lb | 360 fpm | 1679 fpm | 6,080 lb | 574 fpm | 2,677 fpm |

| MODEL NUMBER | DRUM SIZE | | | WIRE ROPE DIAMETER | | | |
|--------------|-------------|-------------|--------|--------------------|----------|----------|----------|
| | Barrel Dia. | Flange Dia. | Length | 5/8" | 3/4" | 7/8" | 1" |
| H30-7-86-51 | 10.5" | 42.3" | 28.0" | 7,049 ft | 4,924 ft | 3,395 ft | 2,759 ft |
| H30-7-86-52 | 10.5" | 46.0" | 28.0" | 8,254 ft | 5,947 ft | 4,244 ft | 3,265 ft |

H30-7-86-51/52 WINCH INSTALLATION DIMENSIONS

DIMENSIONS ARE IN INCHES (MILLIMETERS)

FOR SAFETY: A MINIMUM OF 3 TO 4 WRAPS OF WIRE ROPE MUST BE MAINTAINED AT ALL TIMES!



DISTRIBUTOR



PULLMASTER WINCH CORPORATION
 8247 - 130th Street, SURREY, B.C. CANADA V3W 7X4
 Telephone: (604) 594-4444 • Fax: (604) 591-7332
 http://www.pullmaster.com • E-mail: info@pullmaster.com