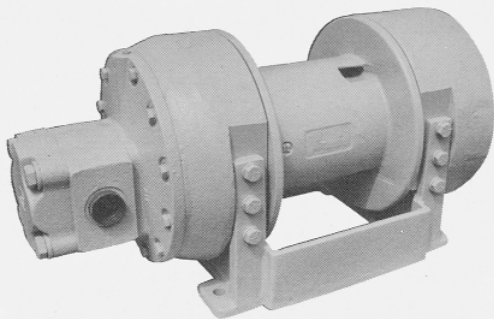


# H8

PLANETARY, HYDRAULIC WINCH



**MASTER**

**THE LOGICAL CHOICE**

**RAPID REVERSE**

# MODEL H8 PLANETARY HYDRAULIC WINCH

## DESCRIPTION

The **PULLMASTER** Model H8 is a high performance, high efficiency planetary winch with a 'Rapid Reverse' feature. The reversing or lowering speed is 4.3 times faster than forward or hoisting speed.

In reverse rotation (lowering) the maximum, load can be positively controlled at a line speed equal to the hoisting speed. Only loads which are reduced by a ratio of 4.3 of the maximum, winch capacity should be lowered at maximum reversing speed.

The **PULLMASTER** Model H8 planetary winch is powered by a hydraulic gear motor and the required Reduction of 34:1 (in forward rotation) is established by two planetary reduction stages. In forward rotation (hoisting) the hydraulic motor drives direct into the planetary reductions without affecting the brake assembly. When forward rotation is stopped, an over-running clutch, installed between the brake assembly and the motor shaft, will lock and the brake will hold the load. The multi-disc brake is spring applied-pressure released and has static and dynamic function. When the hydraulic motor is powered for reverse rotation the primary planet reduction is locked out, resulting in the fast reversing speed. When the control is returned to neutral position the brake applies automatically. A counter-balance or brake valve is not required for dynamic braking.

All moving parts of the **PULLMASTER** Model H8 planetary winch are totally enclosed and run in an oil bath, assuring long, trouble-free service with a minimum requirement of maintenance.

**DRUM SIZES:** Different drum sizes are available to provide for larger cable storage.

**REDUCTION RATIOS:** The performance can be altered by different reduction ratios.

**HYDRAULIC MOTORS:** Hydraulic piston motors can be adapted for high pressure hydraulic systems.

**EXTERNAL BRAKE RELEASE:** This option offers the facility of an independent brake release.

For further optional requirements contact the factory.

## OPTIONS

## PERFORMANCE

- Based on a hydraulic volume of 37 (U.S.) gpm (140 l/min) at 2000 psi (138 bar) hydraulic pressure.
- Drum rpm at max. oil volume = 59 rpm in forward rotation and 255 rpm in reverse rotation.
- Drum torque at maximum pressure = 31875 lb. in. (3601 Nm).

MODEL NUMBER	BARE DRUM			MEAN DRUM			FULL DRUM		
	LINE PULL	LINE SPEED		LINE PULL	LINE SPEED		LINE PULL	LINE SPEED	
		FORWARD	REVERSE		FORWARD	REVERSE		FORWARD	REVERSE
H8-3-30-1	8500 lb	116 fpm	502 fpm	7157 lb	142 fpm	617 fpm	5814 lb	169 fpm	734 fpm
	37.8 kN	35 m/min	153 m/min	31.8 kN	43 m/min	188 m/min	25.9 kN	51 m/min	224 m/min

- Optional drum sizes and reduction ratios may change the performance.

- The volumetric requirements for the **PULLMASTER** Model H8 planetary winch are recommended maximums and should not be exceeded. When the winch is installed in existing hydraulic circuits with a lesser oil volume and/or lower pressure, the performance will change accordingly. Performance graphs for line speed vs. oil volume and line pull vs. oil pressure are available on request.

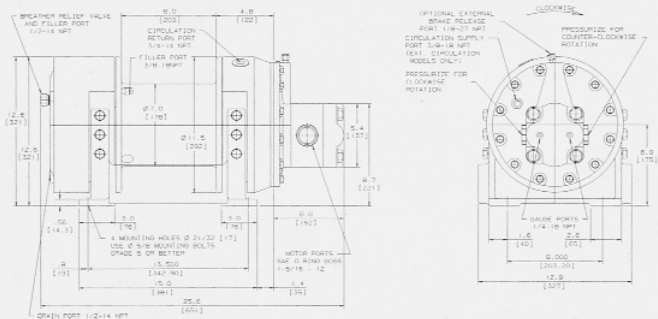
## CABLE STORAGE

### CABLE STORAGE CAPACITY FOR WIRE ROPE

MODEL NUMBER	DRUM SIZE			WIRE ROPE DIAMETERS *						
	BARREL	FLANGE	LENGTH	1/8 in	3/16 in	1/4 in	5/16 in	3/8 in	7/16 in	1/2 in
H8-3-30-1	7 in	11.50 in	8 in	2115 ft	959 ft	532 ft	359 ft	227 ft	166 ft	152 ft
	178 mm	292 mm	203 mm	645 m	292 m	162 m	109 m	69 m	51 m	46 m

The cable anchor of the **PULLMASTER** Model H8 planetary winch is not designed to hold the rated maximum load. The cable drum requires 3 - 4 wraps of wire rope for security. Contact the factory for cable drums with a larger cable storage capacity.

## DIMENSIONS



**PULLMASTER** planetary winches are covered by a liberal warranty. Parts and repair service are available from authorized **PULLMASTER** distributors throughout Canada, the United States and most overseas areas.

### IMPORTANT:

**PULLMASTER** planetary winches are neither designed nor intended for installation used in lifting or moving of personnel.

**PULLMASTER** planetary winches are available for different lifting capacities and also with equal speed in both directions.

## DISTRIBUTOR

For more information write to:

## PULLMASTER WINCH CORPORATION

ISO 9001 Registered Firm # 96-381

8247 - 130th STREET, SURREY, B.C. CANADA V3W 7X4

TELEPHONE: (604) 594-4444 • FAX: (604) 591-7332

http://www.pullmaster.com • E-mail: info@pullmaster.com