



THE LOGICAL CHOICE

**INSTRUCTION AND PARTS MANUAL
MODEL M50
FREESPOOL
PLANETARY HYDRAULIC WINCH**



POWER to Move the World™

TWG Canada

LANTEC and Pullmaster Brands

19350 – 22nd Ave • Surrey, BC V3S 3S6

Voice: + 1 604-547-2100 • Fax: + 1 604-547-2147 • www.team-twg.com

A **DOVER** COMPANY



**READ THIS MANUAL BEFORE INSTALLING, OPERATING OR
SERVICING THIS PRODUCT. THIS MANUAL CONTAINS IMPORTANT
INFORMATION. MAKE THIS MANUAL AVAILABLE TO ALL PERSONS
RESPONSIBLE FOR THE OPERATION, INSTALLATION, SERVICING
AND MAINTENANCE OF THIS PRODUCT.**

LIMITED WARRANTY

50130-0

Seller warrants that each article (whether Gear Drive Products, Brake Products and/or Winch Products, all of which are covered hereunder) sold under this order shall at the time of shipment (i) conform to applicable specifications, and (ii) be free from defects in material and workmanship during normal and ordinary use and service (the "Warranty").

Buyer's exclusive remedy and Seller's sole obligation under this Warranty shall be, at Seller's option, to repair or replace any article or part thereof which has proven to be defective, or to refund the purchase price of such article or part thereof. Buyer acknowledges that Buyer is knowledgeable concerning the articles covered by this Warranty and sold in connection therewith which are being purchased, that Buyer has reviewed this Warranty and that the remedies provided hereunder are adequate and acceptable to Buyer.

This Warranty shall expire one (1) year from the date the article is first shipped by Seller. Notice of claimed breach of this Warranty must be given by Buyer to Seller within the applicable period. Such notice shall include an explanation of the claimed warranty defect and proof of date of purchase of the article or part thereof for which warranty coverage is sought. No allowances shall be made by Seller for any transportation, labor charges, parts, "in and out" costs, adjustments or repairs, or any other work, unless such items are authorized in writing and in advance by Seller. Nor shall Seller have any obligation to repair or replace items which by their nature are expendable.

If an article is claimed to be defective in material or workmanship, or not to conform to the applicable specifications, Seller will either examine the article at Buyer's site or issue shipping instructions for return to Seller. This Warranty shall not extend to any articles or parts thereof which have been installed, used, or serviced otherwise than in conformity with Seller's applicable specifications, manuals, bulletins, or instructions, or which shall have been subjected to improper installation, operation, or usage, misapplication, neglect, incorrect installation, overloading, or employment for other than normal and ordinary use and service. This Warranty shall not apply to any article which has been repaired, altered or disassembled, or assembled by personnel other than those of Seller. This Warranty shall not apply to any article upon which repairs or alterations have been made (unless authorized in writing and in advance by Seller). This Warranty shall not apply to any articles or parts thereof furnished by Seller to Buyer's specifications and/or furnished by Buyer or acquired from others at Buyer's request.

SELLER MAKES NO EXPRESS WARRANTIES AND NO IMPLIED WARRANTIES OF ANY KIND, OTHER THAN THE WARRANTY EXPRESSLY SET FORTH ABOVE. SUCH WARRANTY IS EXCLUSIVE AND IS MADE AND ACCEPTED IN LIEU OF ANY AND ALL OTHER WARRANTIES, EXPRESS OR IMPLIED, INCLUDING WITHOUT LIMITATION THE IMPLIED WARRANTIES OF MERCHANTABILITY AND FITNESS FOR A PARTICULAR PURPOSE.

Buyer expressly agrees that Seller is not responsible to perform any work or investigation related in any way to torsional vibration issues and is not responsible for the detection or remedy of Natural Frequency Vibration of the mechanical system in which the unit is installed. Buyer acknowledges, understands and agrees that this Warranty does not cover failures of the unit which result in any manner from the operation of the machine or unit at vibration frequencies at or near the natural frequency vibration of the machine in such a way that damage may result. Buyer expressly agrees that Seller is not responsible for failure damage or accelerated wear caused by machine or ambient vibration. Further, Buyer acknowledges and agrees that Buyer is always solely responsible for determination and final approval of the "application factor" which may be used in Seller's calculations and this application factor is 1.0 unless otherwise stated in Seller's quotation specifications.

The remedies for this Warranty shall be only those expressly set forth above, to the exclusion of any and all other remedies of whatsoever kind. The limited remedies set forth above shall be deemed exclusive, even though they may fail their essential purpose. No agreement varying or extending the foregoing Warranty, remedies, exclusions, or limitations shall be effective unless in writing signed by an executive officer of Seller and Buyer. This Warranty is non-transferable. If a party who had purchased articles from Buyer, or from persons in privity with Buyer, brings any action or proceeding against Seller for remedies other than those set forth in this Warranty, Buyer agrees to defend Seller against the claims asserted in such action or proceeding at Buyer's expense, including the payment of attorneys' fees and costs, and indemnify Seller and hold Seller harmless of, from and against all such claims, actions, proceedings or judgments therein. Buyer also agrees to defend and indemnify Seller of, from and against any loss, cost, damage, claim, debt or expenses, including attorneys' fees, resulting from any claims by Buyer or third parties to property or injury to persons resulting from faulty installation, repair or modification of the article and misuse or negligent operation or use of the article, whether or not such damage to property or injury to persons may be caused by defective material, workmanship, or construction.

ADVISORY: *Winches and hoists are not approved for lifting or handling personnel or persons unless specifically approved in writing from Seller for the specific intended application.*

Under no circumstances shall Seller be liable (i) for any damage or loss to any property other than the warranted article or part thereof, or (ii) for any special, indirect, incidental, or consequential damage or loss, even though such expenses, damages, or losses may be foreseeable.

The foregoing limitations on Seller's liability in the event of breach of warranty shall also be the absolute limit of Seller's liability in the event of Seller's negligence in manufacture, installation, or otherwise, with regard to the articles covered by this Warranty, and at the expiration of the Warranty period as above stated, all such liabilities shall terminate. Buyer's purchase of any article(s) covered by this Warranty shall constitute acceptance of the terms and conditions hereof and shall be binding upon Buyer and Buyer's representatives, heirs and assigns. The laws of the Province of British Columbia shall govern Buyer's rights and responsibilities in regard to this Warranty and the transaction(s) subject thereto, and the Province of British Columbia shall be the exclusive forum and jurisdiction for any action or proceedings brought by Buyer in connection herewith or any dispute hereunder. If any of the terms and conditions contained within this Warranty are void, the remaining provisions thereof are and shall remain valid and enforceable.

SAFETY RECOMMENDATIONS



DANGER

FAILURE TO COMPLY WITH THE FOLLOWING SAFETY RECOMMENDATIONS AND LOCAL RULES AND REGULATIONS WILL RESULT IN PROPERTY DAMAGE, SEVERE INJURY OR DEATH.



Definition: **Caution** indicates a potentially hazardous situation which, if not avoided may result in minor or moderate injury.



Definition: **Warning** indicates a potentially hazardous situation which, if not avoided could result in death or serious injury.



Definition: **Danger** indicates a potentially hazardous situation which, if not avoided will result in death or serious injury.

The planetary hydraulic winches are made for hoisting and lowering loads and to be operated by trained and professional personnel. They are not designed for operations involving lifting or moving personnel. The winches are powered by hydraulic power. The ropes / cables for hoisting operations are not supplied by PULLMASTER. The winches are always assembled in an application, they do not function as an independent machine and it is not allowed to use them as such.

The winches are to be used within the specifications as listed in the manual under "SPECIFICATIONS". Other use as foreseen in the functional description of the hydraulic winch is not allowed without written permission from PULLMASTER.

1. Do not install, operate or service winch before reading and understanding manufacturer's instructions.
2. The winch described herein is not designed for operations involving lifting or moving personnel.
3. Do not lift or carry loads over people.
4. Do not exceed recommended operating pressure (psi) and operating volume (gpm).
5. Do not jerk the winch. Always smoothly accelerate and decelerate load.
6. Do not operate a damaged, noisy or malfunctioning winch.
7. Do not leave a load suspended for any extended period of time.
8. Never leave a suspended load unattended.
9. Winch should be maintained and operated by qualified personnel.
10. Inspect winch, rigging, mounting bolts and hoses before each shift.
11. Warm-up equipment before operating winch, particularly at low ambient temperatures.
12. Verify winch function by raising and lowering a full test load to a safe height before each shift.
13. Do not weld any part of the winch.
14. Verify gear lubrication and brake circulation supply and return before operating winch.
15. Be sure of equipment stability before operating winch.
16. Wear proper clothing to avoid entanglement in rotating machinery.
17. Always stand clear of the load.
18. Use only recommended hydraulic oil and gear lubricant.
19. Keep hydraulic system clean and free from contamination at all times.
20. Maintain winch and equipment in good operating condition. Perform scheduled maintenance regularly.
21. Keep hands clear when winding wire rope onto the winch drum.
22. Do not use the wire rope as a ground for welding.
23. Rig the winch carefully. Ensure that the wire rope is properly anchored to the correct cable anchor slot at the cable drum.
24. Do not lift a load with a twisted, kinked or damaged wire rope.
25. Consult wire rope manufacturer for size, type and maintenance of wire rope.
26. Maintain five wraps of wire rope on the cable drum at all times.
27. In case of a power failure or breakdown leading to an unexpected stop of the hydraulic power circuit, stand clear of the area and the load being hoisted, take the necessary precautions to prevent access to area where the load is halted.
28. The noise level of the winch is 89dBA measured on a distance of 1.00 meter, 1.60 meters high. The measuring equipment used was: Realistic #42-3019.
29. Clean up any oil spillage immediately.
30. Wear proper clothing and personal protection equipment such as, footwear, safety goggles and a hard hat. Read manual first.



DESCRIPTION OF THE MODEL M50F

GENERAL DESCRIPTION:

The PULLMASTER Model M50 with freespool is a planetary hydraulic winch having equal speed in both directions and a hydraulically actuated freespool feature. The main components of this unit are:

- + Hydraulic gear motor
- + Multi disc brake with static and dynamic function
- + Primary planet reduction
- + Secondary planet reduction
- + Final planet reduction
- + Brake housing
- + Cable drum
- + Final drive housing
- + Freespool mechanism

FUNCTION IN FORWARD ROTATION (HOISTING):

In forward rotation, the output torque and rpm of the hydraulic motor are transmitted to the sungear of the primary planet reduction. The output torque and rpm of the primary reduction are transmitted to the secondary reduction by the secondary sungear, which is spline to the primary planet hub. The secondary drive output torque and rpm are transmitted to the final drive by the freespool shaft and freespool coupling which is splined to the secondary planet hub. The final planet hub is splined to the cable drum. In forward rotation, or when a load is lifted, an over-running clutch, which connects the motor drive shaft to the automatic brake assembly, permits free rotation of the sungear, without effecting the brake. The pressure required to rotate the drum without load at full speed may vary up to 350 psi (24 bar). When the winch rotation is stopped, the load on the cable drum causes the over-running clutch to lock and the maximum load is held safely by the disc brake.

FUNCTION IN REVERSE ROTATION (LOWERING):

In reverse rotation, or when the winch is pressurized for lowering of a load, hydraulic pressure from the reverse side of the hydraulic motor is channelled to the brake piston, causing the brake piston to release the multi-disc brake against a number of brake springs. The pressure required to rotate the drum at full speed may vary from 250 to 550 psi (17 to 38 bar) depending upon the load and without load from 500 to 1000 psi (34 to 69 bar). The over-running clutch, connecting the motor drive shaft to the brake assembly, locks, causing the brake discs to rotate between divider plates, which are engaged into the brake housing. If the load on the cable drum tends to effect the lowering speed, the resulting pressure drop in the brake piston causes friction between the brake discs and the divider plates. In this way, a completely smooth pay out speed can be achieved in a stepless operation by modulation of the winch control handle. When the control handle is returned to neutral position, rotation stops and the disc brake applies automatically. A hydraulic counter-balance valve or holding valve is not required for smooth and positive operation of the automatic brake.

During lowering operations of the winch, the friction created by the brake discs results in heat. This heat is dissipated by the circulation of hydraulic fluid through the brake housing, supplied internally from the motor, or externally, depending on the brake code of the winch. For efficient cooling of the automatic brake, models with external circulation should be adjusted to supply 5 (US) gpm - 19 l/min. This flow must be returned directly to the reservoir with a permissible back pressure of 30 psi (2 bar).

FUNCTION IN FREESPOOLING:

Freespooling may be used only when there is NO LOAD on the cable drum. Upon pressurizing the freespool release port with 400 psi (28 bar), the freespool piston pushes the freespool shaft against the freespool spring. Since the freespool coupling is held in place, the two splines(which hold the shaft and coupling together) disengage. This allows free rotation of the cable drum as long as pressure is maintained to the freespool release port.

IMPORTANT:

Under no circumstances must the pressure in the brake housing be permitted to exceed 30 psi (2 bar). Excessive pressure in the brake housing will damage the oil seal separating the brake housing from the drum interior. Damage to this seal will cause the drum to fill up with hydraulic fluid. In order to prevent damage to the drum seal and end cover of the final drive housing, when the cable drum fills up with hydraulic fluid, a breather relief (see PARTS REFERENCE, item 130) is installed on the end cover. The breather relief bleeds to atmosphere and serves as a warning that the seal between brake housing and drum has been damaged.

EXPLANATION OF MODEL CODING

M 50 X - XX - XX - XX X - X XXXX

BASIC UNIT SERIES

M = Equal speed in both directions

SIZE OF UNIT

REDUCTION RATIO

Only used for non standard reduction ratios

TYPE OF BRAKE

- 0 Winch without brake
- 3 Automatic brake, clockwise drum rotation, internal circulation flow
- 4 Automatic brake, external brake release, clockwise drum rotation, internal circulation flow
- 5 Automatic brake, external brake release, counterclockwise drum rotation, internal circulation flow
- 6 Automatic brake, counterclockwise drum rotation, internal circulation flow
- 7 Automatic brake, clockwise drum rotation, external circulation flow
- 8 Automatic brake, external brake release, clockwise drum rotation, external circulation flow
- 9 Automatic brake, external brake release, counterclockwise drum rotation, external circulation flow
- 10 Automatic brake, counterclockwise drum rotation, external circulation flow
- 11 Brake effective in both directions, external circulation flow
- 17 Brake effective in both directions, external circulation flow, external drain, external brake release

HYDRAULIC MOTOR

- 86 *COMMERCIAL WM76* hydraulic motor, 3 inch gear section
(Other gear sections for this motor are optional)

DRUM SIZE

- 1 14 inch drum diameter X 23.75 inch flange diameter X 14 inch length - STANDARD
(For other drum sizes refer to APPENDIX A)

OPTIONS

- F Hydraulically actuated **freespooling**

DESIGN REVISION

SPECIFICATION NUMBER

Describes features not identified by preceding codes

NOTE: Clockwise and counterclockwise drum rotation is the direction of rotation for pulling or hoisting, established by looking at the hydraulic motor.

OPTIONS

COUNTERCLOCKWISE ROTATION:

The drum rotation of the standard PULLMASTER Model M50 planetary winch with freespool is clockwise for hoisting when looking at the hydraulic motor of the winch. Drum rotation for counterclockwise hoisting direction is available as an option.

INTERNAL CIRCULATION:

The PULLMASTER Model M50 with freespool has an external circulation flow supply line to cool the brake. Internal circulation is available as an option.

EXTERNAL BRAKE RELEASE:

PULLMASTER planetary winches can be supplied with an **external brake release** which permits release of the automatic disc brake from an external pressure source.



FAILURE TO PROPERLY VENT EXTERNAL BRAKE RELEASE PORT WILL TRAP BRAKE PRESSURE AND ALLOW THE LOAD TO DROP, CAUSING PROPERTY DAMAGE, SEVERE INJURY OR DEATH. WINCHES SUPPLIED WITH EXTERNAL RELEASE OPTION MUST BE CONNECTED ACCORDING TO "TYPICAL HYDRAULIC CIRCUIT".

CABLE DRUM SIZES:

Aside from the standard drum sizes listed in APPENDIX A, the PULLMASTER Model M50 planetary winch with freespool can be supplied with optional drums to accommodate large wire rope storage capacity.

DRUM GROOVING:

Cable drums for the PULLMASTER Model M50 planetary winch with freespool can be grooved. Where this option is a requirement, it is necessary to state the size of wire rope which is to be used with the winch.

OPTIONAL GEAR SECTION FOR THE HYDRAULIC MOTOR:

The performance of the standard PULLMASTER Model M50 planetary winch may be changed by using a different displacement motor. (Contact the factory for performance information.)

HYDRAULIC MOTORS FOR HIGH PRESSURE HYDRAULIC SYSTEMS:

The operating pressure of the PULLMASTER Model M50 planetary winch with freespool is limited to 2500 psi (172 bar). For hydraulic systems operating with a higher range of hydraulic pressure, the winch can be supplied with a hydraulic piston motor, which will provide for the same basic performance in terms of line pull and line speed capacity. (Contact the factory for this requirement.)

FREESPOOLING:

This option permits wire rope being pulled off the cable drum by an operator. **Freespooling** should not be confused with **free fall**. The **freespool** coupling cannot be disengaged or re-engaged with a load on the wire rope or while the cable drum is turning.

The PULLMASTER WINCH CORPORATION will consider other options for quantity requirements.

SPECIFICATIONS

Performance specifications are based on standard hydraulic motor, gear ratio and cable drum with 1.25 inch diameter wire rope. For other cable drums refer to APPENDIX A. For other reductions or motors, refer to supplement inside back cover. Performance specifications for winches supplied with optional motors are provided in attached supplement.

CABLE DRUM DIMENSIONS (STANDARD DRUM):

Barrel diameter	14.00 in	356 mm
Flange diameter	23.75 in	603 mm
Barrel length	14.00 in	356 mm

CABLE STORAGE CAPACITY:

(Size of wire rope)	9/16 in	854 ft	260 m
	5/8 in	691 ft	211 m
	3/4 in	519 ft	158 m
	7/8 in	375 ft	114 m
	1 in	276 ft	84 m
	1 1/8 in	195 ft	60 m
	1 1/4 in	177 ft	54 m

MAXIMUM OPERATING PRESSURE: 2500 psi 172 bar

MAXIMUM OPERATING VOLUME: 115 (US) gpm 435 l/min

MINIMUM OPERATING VOLUME: 30 (US) gpm 114 l/min

DRUM TORQUE AT MAXIMUM PRESSURE: 381,250 lb-in 43,075 Nm

DRUM RPM AT MAXIMUM VOLUME: 17.4 rpm

MAXIMUM LINE PULL AT MAXIMUM PRESSURE:

Bare drum	50,000 lb	222.4 kN
Full drum	33,889 lb	150.7 kN

MAXIMUM LINE SPEED AT MAXIMUM VOLUME:

Bare drum	69 fpm	21 m/min
Full drum	102 fpm	31 m/min

PERMISSIBLE SYSTEM BACK PRESSURE AT MOTOR RETURN PORT:

65 psi 4.5 bar

PERMISSIBLE PRESSURE AT CIRCULATION SUPPLY PORT:

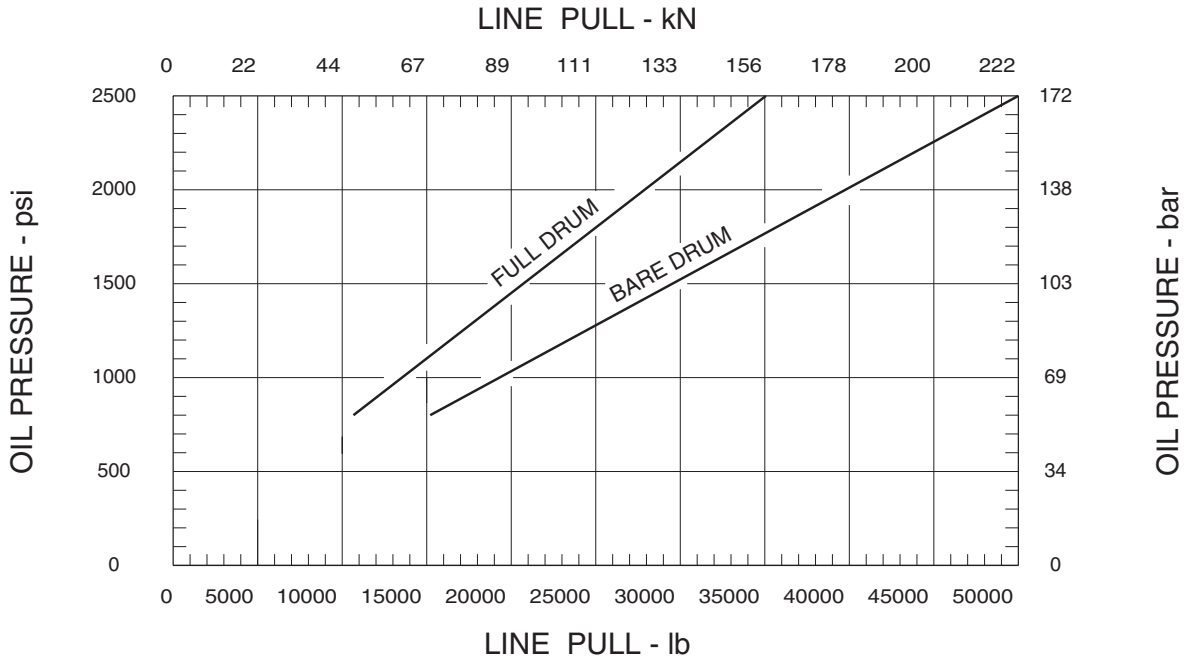
30 psi 2 bar

LUBRICATING OIL: Refer to RECOMMENDATIONS for viscosity and instructions.
Refer to APPENDIX A for oil volume required.

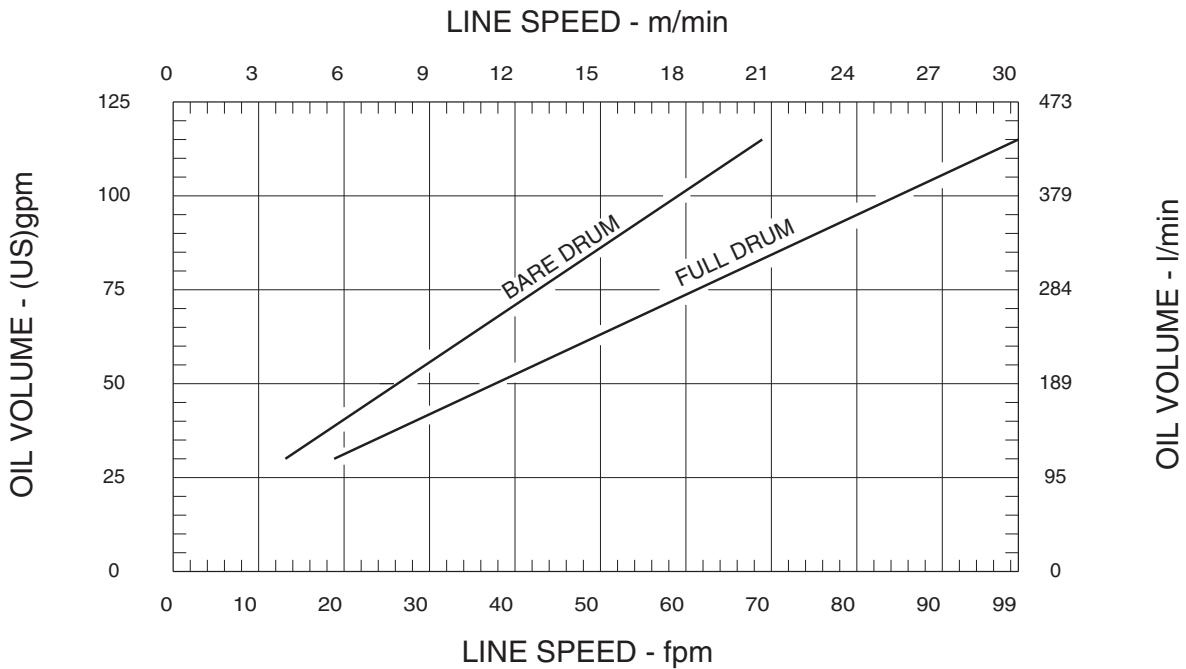
PERFORMANCE GRAPHS

PG-M50-A

LINE PULL VS. OIL PRESSURE



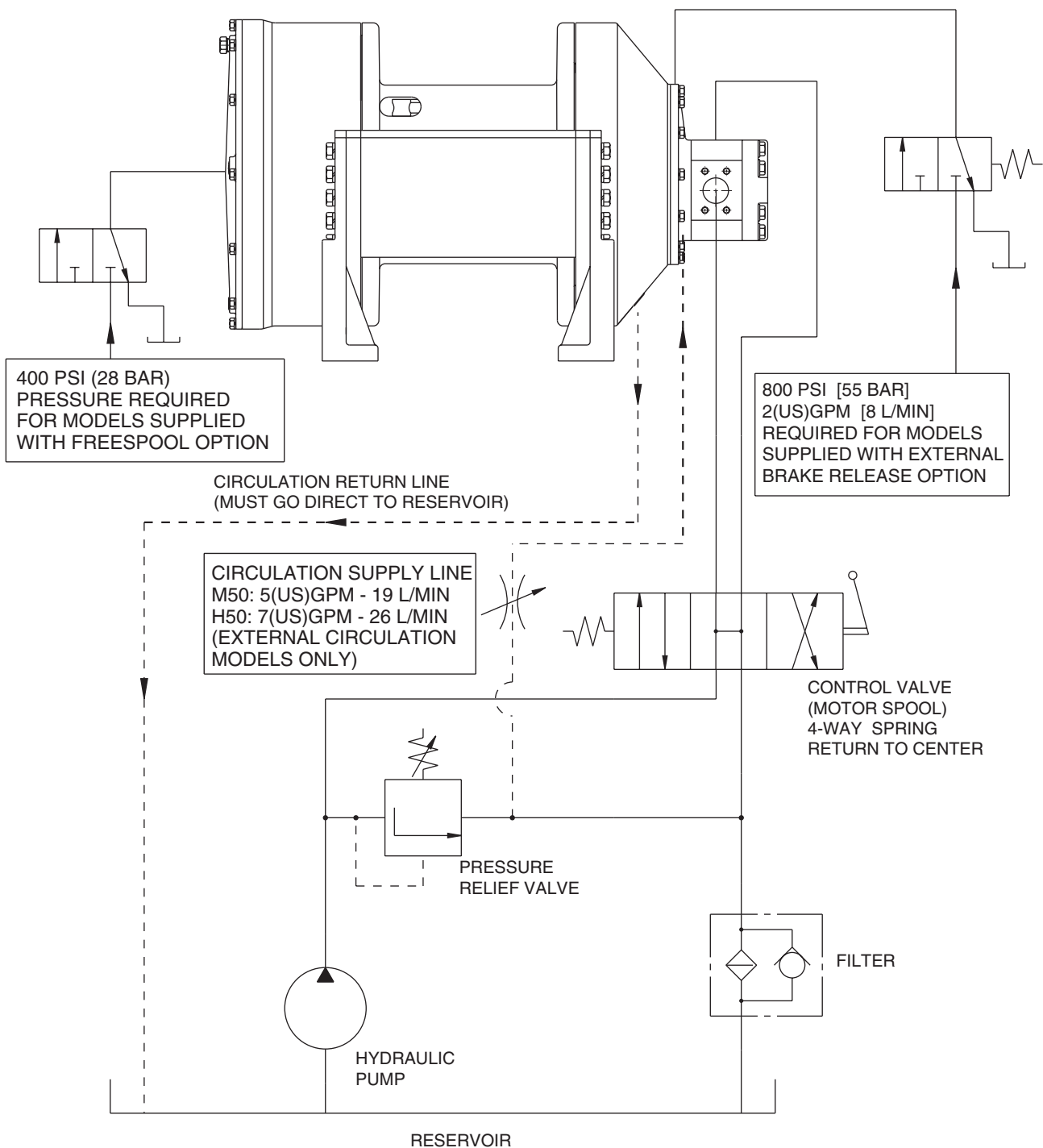
LINE SPEED VS. OIL VOLUME



Performance graphs are based on standard hydraulic motor, gear ratio and cable drum with 1.25 inch diameter wire rope.

TYPICAL HYDRAULIC CIRCUIT

HC-M50-D



RECOMMENDATIONS

HYDRAULIC FLUID:

The hydraulic fluid selected for use with PULLMASTER planetary winches should be a high grade, petroleum based fluid, with rust, oxidation and wear resistance. Fluid cleanliness and operating viscosity are critical to winch reliability, efficiency and service life.

For optimum performance, the recommended viscosity range at operating temperature is 81 - 167 SUS (16 - 36 CS). For extreme operating conditions of short duration, the maximum viscosity range of 58 - 4635 SUS (10 - 1000 CS) should not be exceeded.

For optimum performance, the winch recommended hydraulic fluid temperature operating range is 80 - 150F (27 - 66 C). For extreme operating conditions of short duration, the maximum temperature range of -5 - 180F (-21 - 82 C) should not be exceeded.

LUBRICATION:

The winch gear train requires oil bath lubrication. The winch is shipped from the factory without lubricating oil.

IMPORTANT: ADD LUBRICATING OIL BEFORE RUNNING WINCH.

Refer to INSTALLATION DRAWING for location of lubricating oil fill port. Refer to APPENDIX A for quantity of oil required. For normal operating temperature use SAE90 lubricating oil. Consult lubricating oil supplier or factory for temperatures beyond normal operating range.

HYDRAULIC PUMP:

For maximum performance of the PULLMASTER planetary winch, the hydraulic pump must supply the maximum flow of hydraulic fluid at the hydraulic pressure stated in SPECIFICATIONS.

HYDRAULIC CONTROL VALVE:

The standard control valve used for operation of the PULLMASTER planetary winch must have a four-way, spring return to neutral feature, which provides for open flow from the pressure ports of the winch to the reservoir in neutral position of the control (motor spool). It is important to point out that good speed control, especially when lowering a load, depends on the "metering" characteristics of the control valve. The better the oil flow is "metered" the better will be the speed control.

HYDRAULIC PRESSURE RELIEF:

The hydraulic circuit for the PULLMASTER planetary winch requires a pressure relief set at the operating pressure (see SPECIFICATIONS). Usually, a pressure relief is part of the hydraulic control valve. Where this is not the case, a separate pressure relief valve must be installed and set at the recommended maximum pressure.

HYDRAULIC RESERVOIR:

It is recommended that the hydraulic reservoir has sufficient capacity to provide good heat dissipation in order to prevent over-heating of the hydraulic fluid. The hydraulic reservoir should be made from clean and scale-free material to prevent contamination of the hydraulic fluid. In order to prevent air from being mixed with the hydraulic fluid, the reservoir should have an over-flow baffle separating the return lines from the suction line and all return lines should enter the reservoir below the fluid level. The reservoir should be mounted close to and above the hydraulic pump in a location which provides for free air circulation around the reservoir.

HYDRAULIC HOSES:

The following hydraulic hoses are recommended for maximum efficiency of the PULLMASTER Model M50 planetary winch with freespool:

Pressure lines:	Equivalent to SAE 100R12-32
Circulation return line:	Equivalent to SAE 100R4-16
Circulation supply line:	Equivalent to SAE 100R6-6*

* Only for models with external circulation

It is recommended that a larger size of hydraulic hose is installed where the pressure lines or the circulation lines are excessively long.

HYDRAULIC FILTER:

Hydraulic filter recommendations for the hydraulic circuit of the PULLMASTER planetary winch, based on a return line filter, are given as follows:

Average Atmosphere:	10 microns
Dusty Atmosphere:	5 microns

In order to prevent accidental stoppage of the return line flow, the oil filter should have a by-pass feature.

USE OF AN E STOP:

(FOR EUROPEAN MACHINERY DIRECTIVE APPLICATIONS)

"The use of an E stop (emergency) is mandatory in the controls circuit. The E stop is to be placed in the operator's control panel. The E stop must be designed and placed in line with EN 60204 and EN 418".

INSTALLATION INSTRUCTIONS



DANGER

**FAILURE TO FOLLOW INSTALLATION INSTRUCTIONS WILL
RESULT IN PROPERTY DAMAGE, SEVERE INJURY OR DEATH.**

The initial installation or mounting of a PULLMASTER planetary winch is critically important for proper operation and performance. If the winch is mounted to an uneven surface, the centre line of the unit can be distorted to a point where the winch will not operate in either direction. It is therefore very important that the following instructions are observed when a PULLMASTER planetary winch is installed:

- 1) Make certain that the mounting platform is sufficiently strong in order to avoid deflection when a load is lifted.
- 2) Set the winch on the mounting platform and check for surface contact on all mounting pads of the winch.
- 3) If there is a space between the mounting surface and one of the mounting pads, the mounting surface is not even and the space below the mounting pad must be shimmed. If this condition exists, proceed as follows:
 - a) Install mounting bolts snug tight on the three mounting pads which are in contact with the mounting surface. (For mounting bolt size and grade see INSTALLATION DRAWING.)
 - b) Measure the space underneath the fourth mounting pad with a feeler gauge and use shim stock of equivalent thickness in the space between the mounting pad and the mounting surface.
 - c) Only after this procedure should the fourth mounting bolt be installed. Tighten all four bolts per BOLT TORQUE CHART.
- 4) Fill the winch with lubricating oil. (See APPENDIX A for oil volume required.)
- 5) Use recommended circuit components and hydraulic hoses.
- 6) The circulation return line of the winch should be plumbed in such a manner that the brake housing remains full of oil at all times. Connect the return line directly to reservoir. Do not connect to a common return line.
- 7) Before operating the winch with a load, verify adequate circulation flow through the circulation return line as stated in TYPICAL HYDRAULIC CIRCUIT. Verify that pressure measured at the circulation supply port does not exceed the permissible pressure stated in SPECIFICATIONS. Winches equipped with the internal circulation option will supply circulation flow only when the winch is run in the lowering direction.
- 8) Verify that breather relief, item 130, is in place on end cover above oil level. Rotate end cover if breather relief is below oil level.

IMPORTANT: Do not replace breather relief with a pipe plug. The breather relief does not prevent oil seal failure but serves as an indicator or warning that the oil seals between brake housing and the cable drum interior have failed and must be replaced immediately. If these oil seals are changed, additional failure of the drum seal and potential damage to the end cover is prevented.

OPERATING INSTRUCTIONS



DANGER

**FAILURE TO FOLLOW OPERATING INSTRUCTIONS WILL
RESULT IN PROPERTY DAMAGE, SEVERE INJURY OR DEATH.**

After the PULLMASTER planetary winch has been installed in accordance with the INSTALLATION INSTRUCTIONS, the wire rope can be fastened to the cable drum.

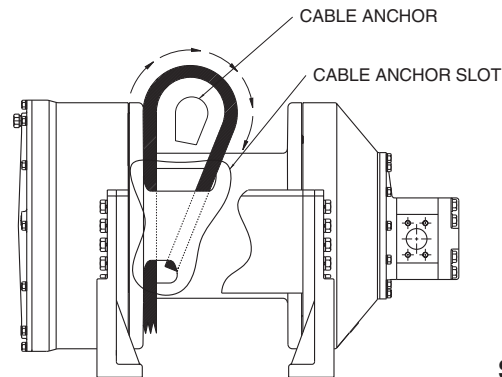
IMPORTANT: The ropes, chains, slings, etc. are not part of the winch and are not covered by this manual. Refer to manufacturer's handling, inspection and maintenance recommendations to avoid potential accidents. For selection of ropes, etc. please check the following product standards: DIN 15020, prEN 818-1/9, prEN 1492-1/2, prEN 1677-1/3 and other relevant product standards.

- 1) The cable drum of the PULLMASTER planetary winch has two cable anchor slots, one for clockwise and one for counterclockwise hoisting. Standard rotation for hoisting is clockwise when looking at the hydraulic motor of the unit. It is critical to select the cable anchor slot which will permit winding of the wire rope on the drum in the correct direction of rotation. If the wire rope is wound on the cable drum in the wrong direction of rotation, the winch will have no braking capacity. Each winch is shipped from the factory with a label on the drum indicating the correct cable anchor slot.

WIRE ROPE INSTALLATION

Clockwise hoisting winch shown.
(Use cable anchor slot on opposite side of drum for counterclockwise hoisting winch.)

Feed the wire rope through the cable anchor slot. Loop rope back into slot as shown. Insert cable anchor and pull rope tight to wedge rope in slot.



- 2) On wire rope installation, care must be taken that the wire rope is wrapped completely around the cable anchor and properly pulled into the cable anchor slot in the cable drum. The cable drum requires 5 wraps of wire rope for safety.
- 3) The winch operation is controlled by a single control valve lever which has a **forward**, a **reverse** and a **neutral** position. Speed control in either direction is obtained by modulation of the control valve lever. Maximum line speed in either direction is obtained when the control valve lever is moved as far as it can go. The disc brake of the winch will come on automatically when the winch control lever is returned to **neutral**.
- 4) Always warm up equipment prior to operating winch, particularly in low ambient temperature. Circulate hydraulic oil through the winch control valve for several minutes to warm the hydraulic system. To prime the winch with warm oil, operate the winch at slow speed, forward and reverse, several times.
- 5) Prevent corrosion damage to winch interior. If not used regularly, run winch up and down at least once every two weeks.
- 6) To ensure proper winch installation and function, raise and lower a full test load to a safe height before using winch for regular operation at the start of each shift.

If, after a new installation, the winch does not function properly, refer to the TROUBLESHOOTING section of this manual.

TROUBLE SHOOTING

GENERAL:

In most cases, when the hydraulic winch does not perform satisfactorily, the cause of malfunction is found somewhere in the hydraulic circuit. Before the winch is removed from its mounting and disassembled, all of the hydraulic circuit components should be checked for proper function.

IMPORTANT:

The hydraulic oil volume relates to the line speed or rpm of the winch.

Therefore, if the winch does not produce the specified maximum rated line speed or drum rpm, a loss of hydraulic flow somewhere in the hydraulic circuit system can be analysed. If this condition exists, install a flow meter into the hydraulic circuit to check the volume supplied to the pressure port of the hydraulic winch motor when the winch control is completely opened. The flow meter should indicate the maximum operating volume. If this test indicates a loss of hydraulic flow, check the hydraulic pump, the relief valve and the control valve. If the pump is driven by V-belts, check for belt slippage.

The hydraulic pressure relates to the line pull or lifting capacity of the winch.

If the winch will not lift the specified maximum line pull, install a pressure gauge into the pressure line leading to the hoisting port on the hydraulic winch motor. Stall the winch to prevent rotation of the drum and then open the control valve. Check the hydraulic pressure reading of the installed pressure gauge. If the pressure reads below the specified maximum operating pressure, look for trouble in the hydraulic pump, the relief valve and the control valve. If the pump is driven by V-belts, check for belt slippage. When checking oil pressure and volume in the hydraulic circuit, make certain that the hydraulic reservoir is filled to the top level and the hydraulic pump is running at maximum operating rpm.

Only if the hydraulic system has been checked and found to be in order, use the following indications for probable causes of failure in the winch:

FAILURE	PROBABLE CAUSE
Winch will not produce line pull at maximum pressure as listed in SPECIFICATIONS.	<ul style="list-style-type: none"> a) Winch is mounted to an uneven surface. (See INSTALLATION INSTRUCTIONS.) b) Cable sheaves or block purchase operated with the winch are not turning freely. c) Damage or wear in the hydraulic motor. d) Excessive back pressure in the hydraulic system. e) Relief valve may be set too low. (See SPECIFICATIONS for maximum operating pressure.)
Winch will not produce line speed at maximum volume as listed in SPECIFICATIONS.	<ul style="list-style-type: none"> a) Winch is mounted to an uneven surface. (See INSTALLATION INSTRUCTIONS.) b) Cable sheaves or block purchase operated with the winch are not turning freely. c) Damage or wear in the hydraulic motor. d) Excessive back pressure in the hydraulic circuit.
Winch will not reverse.	<ul style="list-style-type: none"> a) Leakage out of the brake piston prevents the brake from being released against the brake springs. This is caused by damaged O-ring seals on the brake piston. b) The O-ring seals on the brake release channel between the motor adaptor and the brake housing is damaged. If this failure occurs there will be substantial leakage from between the motor adaptor and brake housing. c) Insufficient hydraulic pressure. (See SPECIFICATIONS for minimum operating pressure.) d) Winch is mounted to an uneven surface. (See INSTALLATION INSTRUCTIONS.) e) Hydraulic pressure is not reaching the brake piston (plugged brake release orifice in the brake housing).

TROUBLE SHOOTING CONTINUED

FAILURE	PROBABLE CAUSE
Brake will not hold.	<ul style="list-style-type: none"> a) Brake plates or divider plates have been damaged by contamination in the hydraulic fluid, or lack of circulation flow in the brake housing. b) Brake piston is seized in the brake housing because of contamination in the hydraulic fluid. c) Excessive back pressure in the return line causes the brake to be released. d) Control valve has incorrect spool, which traps hydraulic pressure in the brake piston when the control valve handle is returned to neutral position. For proper function of the automatic brake, both pressure ports of the winch must be open to the reservoir in neutral position of the control valve. e) Wire rope is fastened to the incorrect cable anchor slot. f) Sprag clutch is damaged or surfaces where sprag clutch engages on motor drive shaft or brake hub are worn or indented. g) Winch supplied with external brake release option is not plumbed per HYDRAULIC CIRCUIT. Failure to vent external brake release port to reservoir may trap pressure and cause winch brake to slip.
Brake vibrates when lowering a load.	<ul style="list-style-type: none"> a) Pump is too slow. Pump rpm must be maintained at normal operating speed when a load is lowered. b) Brake is running too hot. This is caused by a complete lack of, or insufficient circulation flow. To check the circulation, observe the flow of oil from the circulation return line of the winch (see TYPICAL HYDRAULIC CIRCUIT) when the winch is reversed. c) Control valve has poor metering characteristics. d) Damaged brake plates or divider plates. e) The over-running clutch, which connects the motor shaft with the brake assembly, is damaged. f) Air mixed with hydraulic oil (foamy oil).
Cable drum will not freespool.	<ul style="list-style-type: none"> a) Insufficient hydraulic pressure. (See HYDRAULIC CIRCUIT for minimum pressure required for freespooling.) b) If pressure is lost at freespool release port, freespool piston O-ring, item 265, is damaged. c) Freespool piston may be seized due to contamination in hydraulic fluid. d) Drum is turning or holding load. Drum must be stopped with no load on wire rope while freespool option is used.
Oil leaks.	<ul style="list-style-type: none"> a) Oil leaks from the hydraulic motor flange and the motor adaptor are caused by damaged O-ring seals. b) Oil leaks occurring between the cable drum flanges and housings are caused by excessive pressure in the brake housing. Excessive pressure will damage the oil seal which separates the brake housing from the cable drum interior. c) If the breather relief on the end cover leaks, the seal between the drum interior and the brake housing is damaged and must be replaced. This condition is caused by excessive pressure in the brake housing of the winch, operation with the incorrect hydraulic fluid during cold weather, or a restriction in the circulation return line leading back to tank.

Refer to the SERVICE INSTRUCTIONS if it becomes necessary to disassemble the Model M50 winch with freespool.

SERVICE INSTRUCTIONS

GENERAL:

Before attempting disassembly of the PULLMASTER Model M50 planetary winch with freespool, the following instructions for disassembly and reassembly should be read and understood:

It is suggested that all expendable parts, such as O-rings and oil seals, are not reused on reassembly. It is therefore important to have a seal kit (Part No. 23148) and, providing the hydraulic motor has to be serviced, a seal kit (Part No. 23117) on hand before the unit is taken apart. Two new roller bearings item 875, may also be required (Part No. 25352).

NOTE: Backup washers may be included with seal kit. Install with oil seals as per instructions. If not present in seal kit, the oil seals supplied do not require backup washers.

A clean working area is of prime importance, similar to conditions used for service work on any other hydraulic component.

All parts, as they are removed from the winch assembly, should be inspected for wear and damage. Worn or damaged parts must be replaced. Thoroughly clean parts before reassembly. Do not use solvent to clean the brake friction plates.

During reassembly, lubricate all O-rings and oil seals with grease before installation.

In the following service instructions, reference to parts is made by numbers and shown on the applicable group drawings.

DISASSEMBLY

For the majority of required service or repair work, disassembly is required only on the brake housing of the PULLMASTER Model M50 planetary winch with freespool. There are no special tools needed for the service or repair work and no adjustments or calibrations are necessary. Proceed with the disassembly as follows:

DISASSEMBLY OF HYDRAULIC MOTOR ASSEMBLY:

If the analysed service or repair work requires access to the interior of the brake housing, the hydraulic motor should not be disassembled. In this case, the hydraulic motor should be removed together with the motor adaptor as a complete assembly. If a problem has been analysed to be in the hydraulic motor, proceed with the disassembly as follows:

1) Remove eight hex capscrews item 951, together with lockwashers item 953, from motor assembly.

IMPORTANT: Failure to exercise care when removing the motor port end cover or gear housing could permanently damage the machined surfaces of these motor components. Take care not to damage machined surfaces of motor components at disassembly.

2) Remove (pry loose if necessary) port end cover item 870, together with bearings item 875, and ring seal item 877. Thrust plate item 885, and dowel pins item 865, may stay in gear housing.

3) If thrust plate comes off with end cover, carefully pry it off of the bearings item 875, and discard teflon seals item 887.

4) Remove gear set item 881, which consists of two gears which are a matched set.

5) Carefully pry gear housing item 861, off of motor adaptor item 800. Thrust plate item 885, and dowel pins item 865, may stay in gear housing.

6) If thrust plate stays on the motor adaptor, carefully pry it off of bearings item 875, and discard teflon seals item 887.

7) Discard gasket seals item 869. It is also advisable to replace ring seals item 877, at this time. Bearings item 875, have to be removed to allow access to ring seals.

Teflon seals, gasket seals and ring seals in the hydraulic motor assembly are not part of the winch seal kit. The

SERVICE INSTRUCTIONS CONTINUED

seal kit for the hydraulic motor can be ordered from the factory under Part No. 23117. All parts of the hydraulic motor, with the exception of the motor adaptor item 800, and the port end cover item 870, are standard parts of the *COMMERCIAL WM76* hydraulic motor, having a 3 inch gear section. All of these parts can be ordered from PULLMASTER or COMMERCIAL INTERTECH dealers in Canada, the United States and in most overseas areas.

REMOVAL OF HYDRAULIC MOTOR ASSEMBLY:

If disassembly of the hydraulic motor is not necessary, proceed as follows:

- 1) Remove 12 hex head capscrews item 537, with lockwashers item 541, from motor adaptor item 800. (Since brake springs item 752, apply pressure against the inside of motor adaptor, it is recommended that hex capscrews are unscrewed, one turn at a time, until spring pressure has been released.) Complete motor assembly, including motor adaptor, can now be removed from brake housing assembly.
- 2) Remove and discard three O-rings item 801, and O-ring item 707. (O-rings item 801, seal pressure transfer hole for automatic brake release and are situated on flange of brake housing.)

DISASSEMBLY OF BRAKE HOUSING ASSEMBLY:

- 1) After motor assembly has been removed, all parts of brake assembly are accessible. Remove 14 brake springs item 752. Thoroughly examine springs for damage and measure overall length. Overall spring length should be 2.27 inch. If any spring measures less than 2.21 inch, replace all springs as a set.
- 2) Pull motor drive shaft item 730, and complete brake hub assembly from brake housing.
- 3) Disassemble brake hub assembly by removing circlip item 727, from motor drive shaft. Remove motor drive shaft from brake hub item 720. Remove sprag clutch aligners items 722 and 724, and sprag clutch item 723, from brake hub.



DANGER

MINOR SURFACE DEFECTS WHERE THE SPRAG CLUTCH ENGAGES THE MOTOR DRIVE SHAFT AND BRAKE HUB, WILL RESULT IN BRAKE FAILURE AND ALLOW THE LOAD TO DROP, CAUSING PROPERTY DAMAGE, SEVERE INJURY OR DEATH. THOROUGHLY INSPECT THESE AREAS AND, IF NECESSARY, REPLACE MOTOR DRIVE SHAFT, SPRAG CLUTCH AND BRAKE HUB AS A SET.

- 4) Thoroughly inspect motor drive shaft item 730, and brake hub item 720, particularly surfaces where sprag clutch item 723, engages. If any indentation or surface damage is detected, replace brake hub, sprag clutch and motor drive shaft as a set.
- 5) Pull brake piston item 750, out of brake housing using two 5/8-11NC bolts screwed into two puller holes in piston and discard O-rings item 751 and item 753.
- 6) Thoroughly examine inner bores of brake housing and outer diameters of brake piston for scoring caused by hydraulic fluid contamination. Minor surface damage may be repaired by polishing with a fine emery cloth.



DANGER

DAMAGED FRICTION OR DIVIDER PLATES WILL REDUCE BRAKING CAPACITY AND ALLOW THE LOAD TO DROP, CAUSING PROPERTY DAMAGE, SEVERE INJURY OR DEATH. SOLVENT MAY DAMAGE THE FRICTION PLATES. DO NOT USE SOLVENT TO CLEAN THE FRICTION PLATES. PERFORM THOROUGH INSPECTION AND, IF NECESSARY, REPLACE FRICTION AND DIVIDER PLATES AS A SET.

SERVICE INSTRUCTIONS CONTINUED

- 7) Remove five friction plates item 715, together with six divider plates item 713, and inspect for damage or wear. Plates should be flat and smooth. Plates should not show heat discoloration. Paper material on friction plates should be intact and grooved. If any damage is detected, replace friction and divider plates as a set.
- 8) Remove brake spacer item 712.

DISASSEMBLY OF FINAL DRIVE AND FREESPOOL:

- 1) Remove drain plug item 121, from end cover item 120, and drain lubricating oil from final drive assembly and cable drum interior. (To drain all of the oil out of cable drum interior, winch should be tipped to an angle and filler plug item 121, removed.)
- 2) Remove 12 capscrews item 127, and 12 lockwashers item 541.
- 3) Remove end cover item 120, from end housing item 100, and discard O-ring item 123.
- 4) Remove two thrust washers item 261, and thrust bearing item 263, from end of freespool piston item 264. Inspect these parts and replace if damaged.
- 5) Remove freespool piston item 264, from end cover item 120, and inspect for any surface damage. Small scratches can be removed by polishing with fine emery cloth.
- 6) Check thickness of planet hub stopper item 126, and replace if less than 0.25 inch thick.
- 7) Remove and discard O-ring item 265.
- 8) Remove final planet hub assembly from hub of cable drum item 500.
- 9) Inspect three planet gears item 320, for damage or wear. If it is necessary to remove final planet gears, extract circlip item 311, and press planet pin item 310, out of planet hub item 300. Inspect loose rollers item 323, and two thrust washers item 321, and replace if necessary.
- 10) Pull freespool shaft item 340, out of cable drum assembly, and inspect two splines. If any teeth are broken or excessively worn, replace freespool shaft. Freespool spring item 280, and spring seat item 284, can now be removed, along with two thrust washers item 279, and thrust bearing item 281.

DISASSEMBLY OF PRIMARY DRIVE AND SECONDARY DRIVE:

For ease of working on the unit, set winch upright on final drive housing.

- 1) Remove five hex capscrews item 555, with lockwashers item 553, from each side of both tie bars item 556, and remove tie bars from assembly.
- 2) Remove 12 hex capscrews item 537, along with lockwashers item 541, from secondary housing item 456, by rotating brake housing until access hole is over top of hex capscrews. Brake housing, together with primary and secondary planet hub assemblies, can now be lifted out of cable drum item 500. Discard O-ring item 539.
- 3) Freespool coupling item 260, can now be lifted out of cable drum. Inspect internal spline teeth inside freespool coupling. If any teeth are broken or excessively worn, replace with new coupling.
- 4) To disassemble secondary drive assembly, remove internal retaining ring item 481. Secondary planet hub assembly can now be pulled out of secondary planet housing item 456.
- 5) Remove secondary sungear item 490, from between planet gears item 470. Inspect secondary planet hub stopper item 494, for wear. Replace if less than 0.16 inch thick.
- 6) If secondary planet hub stopper needs to be replaced, or if secondary planet gears item 470, must be removed, start by removing circlips item 461. Secondary planet pins item 460, can now be pressed out of secondary planet hub item 450. Remove secondary planet gears item 470, along with thrust washers item 471. Inspect needle bearings item 473, and replace if damaged.

SERVICE INSTRUCTIONS CONTINUED

- 7) Primary assembly may now be slid out of internal gear and inspected for wear or damage. If primary planet gears item 420, must be removed, remove circlip item 411, from planet pin item 410, and press planet pin out of primary planet hub item 400. Remove primary planet gear item 420, together with loose rollers item 423, and thrust washers item 421.
- 8) Remove primary sun gear item 440, from centre of connecting shaft item 600.
- 9) Remove circlip item 431, from end of connecting shaft and slide internal gear item 430, along with bearing stopper item 532, off of connecting shaft spline.
- 10) Connecting shaft item 600, may now be pulled out of brake housing, and O-ring item 601, discarded. Inspect needle bearing item 603, and replace if necessary.
- 11) To separate secondary housing item 456, and brake housing item 700, use a standard bearing puller or insert two heel bars into slot between secondary housing and brake housing and pry brake housing out of spherical roller bearing item 533.
- 12) Remove internal retaining ring item 534, to remove spherical roller bearing item 533. Remove and discard oil seal item 531.
- 13) To separate final drive housing item 100, and cable drum item 500, first remove external circlip item 513, off end of cable drum, then insert two heel bars into slot between final drive housing and cable drum and pry out of ball bearing item 103.
- 14) Remove internal retaining ring item 104, to remove ball bearing item 103. Remove and discard oil seal item 105.

REASSEMBLY

Thoroughly clean all parts. Use only new, well-greased O-rings and oil seals. Unless otherwise specified, torque fasteners per BOLT TORQUE CHART at back of manual.

REASSEMBLY OF PRIMARY DRIVE AND SECONDARY DRIVE:

- 1) Press new, well-greased oil seal item 105, into final housing item 100.
- 2) Press ball bearing item 103, into final housing and secure with retaining ring item 104.
- 3) Press cable drum item 500, into ball bearing item 103, and secure with circlip item 513.

Turn winch over, resting on end housing with cable drum opening facing upward. Reassemble primary drive as follows:

- 4) Press new, well-greased oil seal item 531, into secondary planet housing item 456. Press spherical roller bearing item 533, into secondary housing and secure with retaining ring item 534.
- 5) Press secondary housing assembly onto brake housing item 700, and install new, well-greased O-ring item 539.
- 6) Press needle bearing item 603, into connecting shaft item 600.
- 7) Install new, well-greased oil seal item 607, with backup washer item 606 (if included with seal kit), into connecting shaft.
- 8) Install new, well-greased O-ring item 601, onto connecting shaft item 600, and insert connecting shaft into brake housing item 700.
- 9) Slide internal gear item 430, along with bearing stopper item 532, onto end of connecting shaft and fasten in place with circlip item 431.
- 10) Reassemble primary planet hub assembly. Use grease to temporarily hold 20 loose rollers item 423, in bore of planet gear item 420. Verify placement of sun gear stopper item 444. Position thrust washers item 421, on either side of planet gear and press planet pin item 410, into final planet hub item 400. Retain with circlip item 411.

SERVICE INSTRUCTIONS CONTINUED

- 11) Insert primary sun gear item 440, between three planet gears and insert sun gear shaft into connecting shaft, engaging planet gears with internal gear. Fasten with retaining ring item 431.
- 12) Reassemble secondary planet hub assembly. If removed, press needle bearing item 473, into planet gear item 470. Verify placement of planet hub stopper item 494. Position thrust washers item 471, on either side of planet gear and press planet pin item 460, into secondary planet hub item 450. Retain with circlip item 461.
- 13) Insert secondary sun gear item 490, between three planet gears item 470. Slide assembly into secondary planet housing item 456, engaging sun gear spline with primary planet hub item 400, and planet gears with secondary planet housing. Insert retaining ring item 481.
- 14) Insert freespool coupling item 260, into cable drum.
- 15) Lower brake housing assembly onto cable drum, while engaging spline of freespool coupling with secondary planet hub item 450. Line up mounting holes of secondary housing item 456, with those in cable drum.
- 16) Rotate brake housing to line up access holes and fasten secondary housing using 12 capscrews item 537, and lockwashers item 529.
- 17) Attach tie bars item 556, using 20 capscrews item 555, and lockwashers item 553.

REASSEMBLY OF FINAL DRIVE AND FREESPOOL END:

Turn winch over to sit upright on brake housing item 700, with end housing item 100, facing upward.

- 1) Install thrust bearing item 281, between two thrust washers item 279, and insert into bore in cable drum item 500.
- 2) Install spring seat item 284, followed by spring item 280, into same bore.
- 3) Reassemble final planet hub assembly. Use grease to temporarily hold 30 loose rollers item 323, in bore of planet gear item 320. Position thrust washers item 321, on either side of planet gear. Press planet pin item 310, into final planet hub item 300, and retain with circlip item 311.
- 4) Insert final planet hub assembly into final housing item 100. Ensure that final planet hub spline is fully engaged with cable drum item 500.
- 5) Install final sun gear item 340, through centre of three final planet gears and into freespool coupling item 260.
- 6) Install new, well-greased O-rings item 123 and item 265, into end cover item 120.
- 7) Install freespool piston item 264, onto two spring pins item 259, inside of end cover.
- 8) Place thrust bearing item 263, between two thrust washers item 261, and onto end of final sun gear item 340. Verify planet hub stopper item 126, is installed onto end cover.
- 9) Attach end cover to end housing item 100, using 12 capscrews item 127, and lockwashers item 541.
- 10) Temporarily remove breather relief item 130, from end cover. Turn winch over with brake housing item 700, facing upward.

REASSEMBLY OF BRAKE HOUSING ASSEMBLY:

Reassemble brake housing assembly as follows:

- 1) Install sprag clutch item 723, into bore of brake hub item 720. Position sprag clutch aligners item 722 and item 724, on either side of brake hub. Carefully slide motor drive shaft item 730, into brake hub assembly and secure with circlip item 727. Verify that circlips item 719 and item 731, are installed on motor drive shaft.
- 2) Carefully slide motor drive shaft item 730, with brake hub assembly, into connecting shaft until it engages spline of primary sun gear item 440.

SERVICE INSTRUCTIONS CONTINUED

IMPORTANT: For proper brake function, verify that sprag clutch is installed correctly. When viewed from the motor end, the motor drive shaft of a clockwise hoisting winch must turn freely clockwise and lock in the counterclockwise direction.

- 3) Install brake spacer item 712, into brake housing.

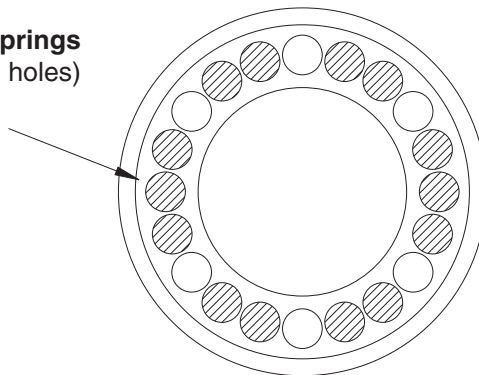


DANGER

INCORRECT ASSEMBLY OF THE FRICTION PLATE AND DIVIDER PLATE STACK WILL REDUCE BRAKING CAPACITY AND ALLOW THE LOAD TO DROP, CAUSING PROPERTY DAMAGE, SEVERE INJURY OR DEATH. REASSEMBLE PER INSTRUCTIONS.

- 4) Starting and finishing with divider plate, alternately install six divider plates item 713, and five friction plates item 715.
- 5) Liberally grease O-ring item 751, and O-ring item 753, and install on brake piston item 750.
- 6) Slide brake piston into brake housing with holes for brake springs facing out of brake housing assembly.
- 7) Install 14 brake springs item 752, in brake piston using hole pattern shown:

Location of brake springs
(14 springs, 20 holes)



SI1007 - M50

- 8) Liberally grease three new O-rings item 801, and install into recesses on motor adaptor item 800. Install new, well-greased O-ring item 707, on flange of motor adaptor.
- 9) Slide hydraulic motor assembly onto splined end of motor drive shaft item 730, and line up pressure transfer holes of brake housing and motor adaptor. Install 12 capscrews item 537, and lockwashers item 541. Tighten one turn at a time to evenly compress springs.

SERVICE INSTRUCTIONS CONTINUED

REASSEMBLY OF HYDRAULIC MOTOR:

If the hydraulic motor was disassembled, the following procedure should be followed for reassembly:

- 1) Clean all parts thoroughly before reassembly and apply grease liberally to all seals. Use only new seals (seal kit Part No. 23117) for hydraulic motor.
- 2) Install two new teflon seals item 887, on each thrust plate item 885. Press one thrust plate, together with two teflon seals, onto bearings item 875, installed in motor adaptor item 800.
- 3) Install new, well-greased gasket seal item 869, on each side of gear housing item 861. Slide gear housing together with gasket seals, onto motor adaptor, lined up on two dowel pins. Tap on tight using soft headed hammer.
- 4) Install gear set item 881, into gear housing. (The longer gear with the internal spline goes into the top position.)
- 5) Press remaining thrust plate, complete with two new teflon seals, onto bearings installed in port end cover.
- 6) Install port end cover item 870, together with two bearings item 875, and new ring seal item 877, onto gear housing, lined up on two dowel pins item 865. Tap on tight using soft headed hammer. Install and lightly torque eight hex capscrews item 951, and lockwashers item 953, to approximately 50 ft-lb (70 Nm).
- 7) Plumb winch assembly to a hydraulic supply and torque motor capscrews according to the following procedure:
 - Ensure that circulation supply flow is being supplied to the brake housing.
 - Run the winch, with no load, in the hoisting direction at reduced speed (approximately 30% of maximum hydraulic volume).
 - With winch running, evenly tighten eight capscrews item 951, to 200 ft-lb (270 Nm).
 - Test motor operation by running winch at full speed in both directions.

IMPORTANT: Before operating the winch, add lubricating oil up to the level of the end cover oil fill port. (Refer to INSTALLATION DRAWING for location of fill port. Refer to APPENDIX A for oil volume required.)

To ensure proper reassembly, run the winch in both directions without load.



DANGER

LIFTING A LOAD WITH A NEWLY SERVICED WINCH COULD ENABLE AN INSTALLATION OR SERVICE PROBLEM TO GO UNDETECTED WHICH WILL ALLOW THE LOAD TO DROP CAUSING PROPERTY DAMAGE, SEVERE INJURY OR DEATH. TO ENSURE PROPER REINSTALLATION, REFER TO PROCEDURES AND TESTS DESCRIBED IN "INSTALLATION" AND "OPERATING INSTRUCTIONS".

RECOMMENDED MAINTENANCE

Winch gear train lubricating oil should be changed after the initial six months or 50 hours of operation, whichever comes first. Lubricating oil should then be changed every 12 months or 500 operating hours, whichever comes first.

Hydraulic system fluid should be changed at least once every 12 months.

For optimum performance over an extended period of time, the following preventive maintenance service should be done every 12 months or 500 operating hours (whichever comes first):

- 1) Disconnect all hydraulic hoses and remove the winch from its mounting.
- 2) Disassemble the winch as per instructions.
- 3) Discard and replace all O-rings and oil seals.
- 4) Clean all parts and inspect for wear and damage as per instructions. Replace worn or damaged parts as required.
- 5) Reassemble the winch as per instructions.
- 6) Follow INSTALLATION and OPERATING INSTRUCTIONS when returning winch to its mounting.

When ordering parts for the PULLMASTER Model M50 planetary winch with freespool, always quote the complete model and serial number of the unit.

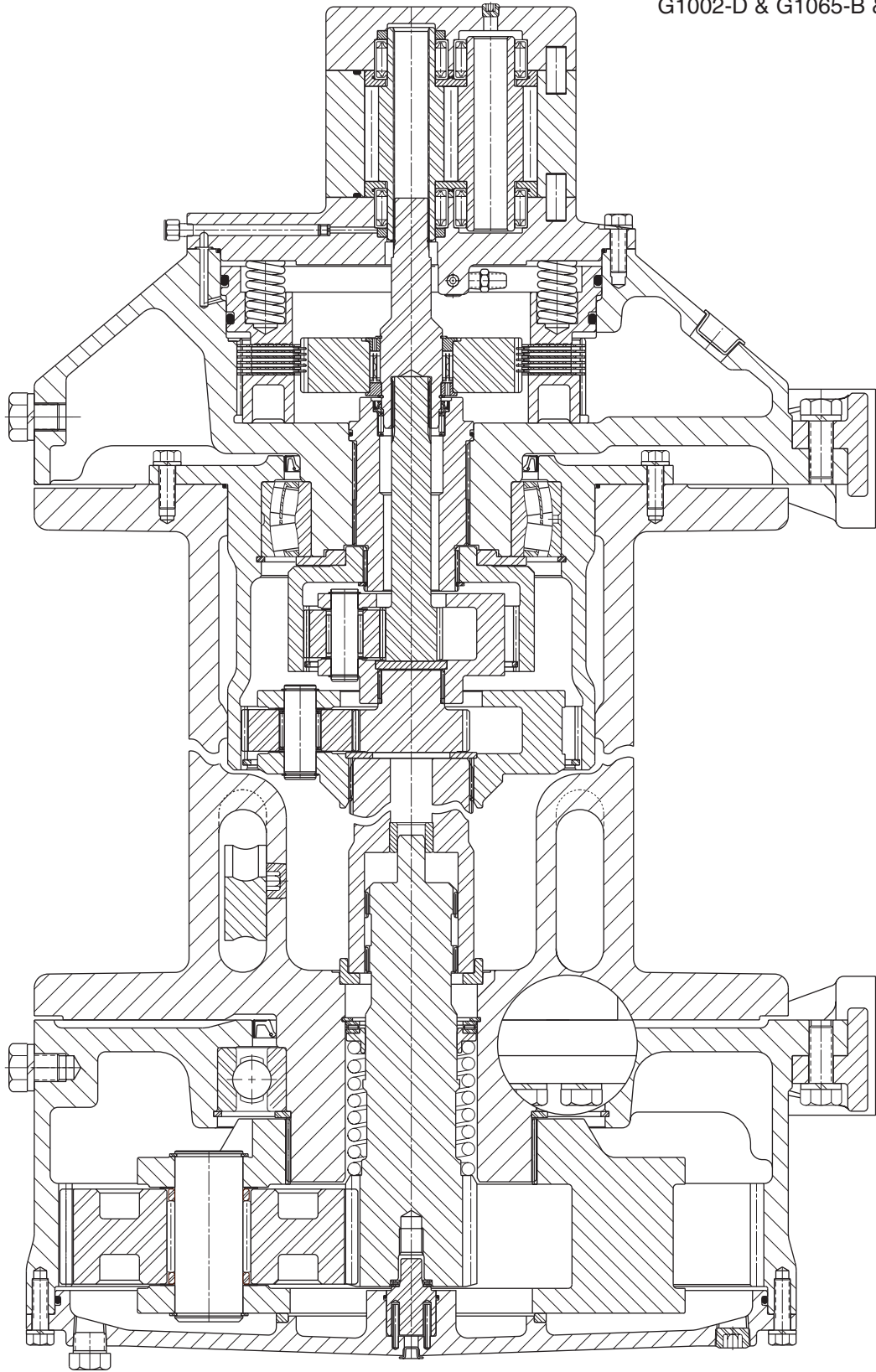
MODEL # _____

SERIAL # _____

PULLMASTER WINCH CORPORATION reserves the right to change specifications and the design of PULLMASTER planetary winches at any time without prior notice and without incurring any obligations.

ASSEMBLY DRAWING

G1002-D & G1065-B & G1071-B



PARTS REFERENCE - FINAL DRIVE

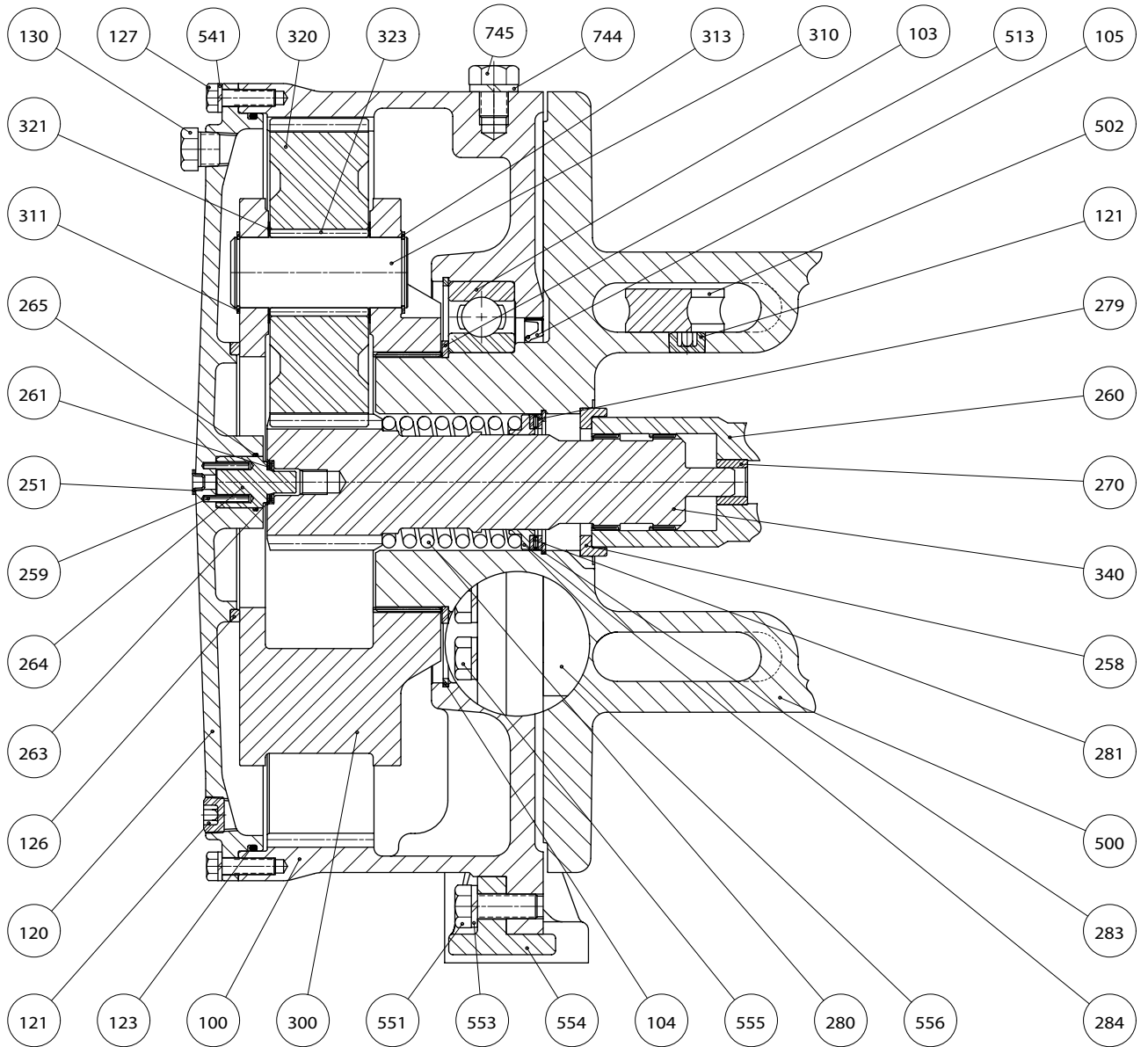
ITEM NO.	QTY.	PART NO.	DESCRIPTION
100	*	*	FINAL HOUSING
103	1	25669	BALL BEARING #6040
104	1	21035	RETAINING RING
105	1	25670	OIL SEAL
120	1	21311	END COVER
121	2	25237	PIPE PLUG 3/4 - 14 NPT
123	1	25681	O-RING -391 22" ID 3/16" CS
126	1	21029	PLANET HUB STOPPER
127	12	25158	CAPSCREW - HEX HEAD 1/2 - 13 NC X 1.75 GRADE 5
130	1	20677	BREATHER RELIEF ASSEMBLY
251	1	25395	PLASTIC CAPLUG 1/4 NPT
258	1	21316	THRUST BUSHING
259	2	25770	SLOTTED SPRING PIN 3/16" X 1 3/8" L
260	1	*	FREESPOOL COUPLING
261	2	25768	THRUST WASHER TORRINGTON #TRB 1220
263	1	25769	THRUST BEARING TORRINGTON #NTA 1220
264	1	21312	PISTON
265	1	25771	O-RING -129 1 9/16"ID 3/32"CS
270	1	21319	BUSHING
279	2	25178	THRUST WASHER TORRINGTON #TRA 5266
280	1	21315	SPRING
281	1	25177	THRUST BEARING TORRINGTON #NTA 5226
283	1	25773	CIRCLIP ROTOR CLIP HO-412
284	1	21317	SPRING SEAT
300	1	24554	PLANETHUB
310	3	21027	PLANET PIN
311	3	25678	CIRCLIP ROTOR CLIP SH-215
313	3	25678	CIRCLIP ROTOR CLIP SH-215
320	3	21010	PLANET GEAR
321	6	24548	THRUST WASHER
323	90	25297	LOOSE ROLLER TORRINGTON #G613 - Q
340	1	21313	SUNGEAR
500	1	*	CABLE DRUM
502	1	21005	CABLE ANCHOR
503	1	25237	PIPE PLUG 3/4 - 14 NPT
513	1	25679	CIRCLIP ROTOR CLIP SH-800
541	12	25014	LOCKWASHER 1/2"
551	14	25564	CAPSCREW - HEX HEAD 3/4 - 10NC X 2.00 GRADE 5
553	*	*	LOCKWASHER 3/4"
554	*	*	BASE PLATE
555	*	*	CAPSCREW - HEX HEAD 3/4-10NC GRADE 5
556	*	*	TIE BAR
744	2	25890	LOCKWASHER 7/8"
745	1	26195	CAPSCREW - HEX HEAD 7/8 - 9NC X 1.50 GRADE 5

* These part numbers and quantities vary according to drum code.
Refer to APPENDIX B.

Refer to PAGE 24 for winch seal kit and PAGE 21 for ASSEMBLY DRAWING.

FINAL DRIVE GROUP

G1071-C



Group drawings may reference more parts than are actually present in a specific assembly. Parts that are referenced on the drawing but are not on the PARTS REFERENCE list should be ignored.

PARTS REFERENCE - BRAKE GROUP

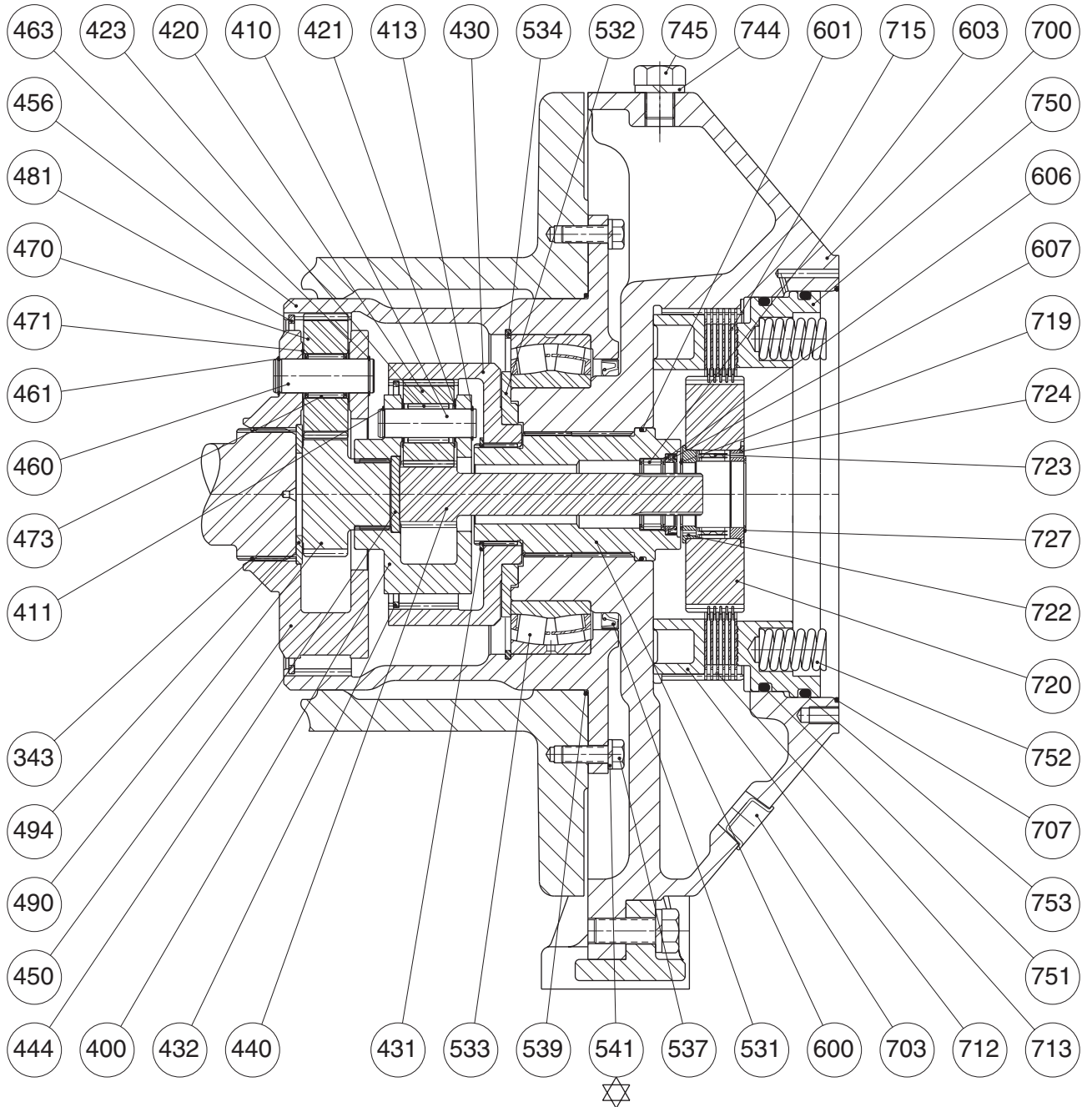
ITEM NO.	QTY.	PART NO.	DESCRIPTION
343	1	20172	RETAINING RING
400	1	24547	PLANETHUB
410	3	20369	PLANET PIN
411	3	25004	CIRCLIP ROTOR CLIP C-87
413	3	25091	CIRCLIP ROTOR CLIP SH-87
420	3	20370	PLANET GEAR
421	6	27257	THRUST WASHER TORRINGTON #TRC 1423
423	60	25270	LOOSE ROLLER 5/32 X 1.25 TOR. #E151 - Q
430	1	21061	INTERNAL GEAR
431	1	25338	CIRCLIP ROTOR CLIP SH-300
440	1	21036	SUNGEAR
444	1	20419	SUNGEAR STOPPER
450	1	24546	PLANETHUB
456	1	21006	SECONDARY HOUSING
460	3	20162	PLANET PIN
461	3	25122	CIRCLIP ROTOR CLIP C-100
463	3	25411	CIRCLIP ROTOR CLIP SH-100
470	3	21009	PLANET GEAR
471	6	27258	THRUST WASHER TORRINGTON #TRC 1625
473	3	25097	NEEDLE BEARING TORRINGTON #BH 1620
481	1	21034	RETAINING RING
490	1	21062	SUNGEAR
494	1	21067	PLANET HUB STOPPER
529	12	25014	LOCKWASHER 1/2"
531	1	25672	OIL SEAL
532	1	21033	BEARING STOPPER
533	1	25671	BEARING - SPHERICAL ROLLER SKF #23032 CC
534	1	21070	RETAINING RING
537	12	25081	CAPSCREW - HEX HEAD 1/2 - 13NC X 1.50 GRADE 5
539	1	25286	O-RING -277 11 1/2" ID 1/8" CS
600	1	21032	CONNECTING SHAFT
601	1	25341	O-RING -239 3-5/8" ID 1/8" CS
603	1	25334	NEEDLE BEARING TORRINGTON #B2812
606	1	21086	BACKUP WASHER
607	1	25345	OIL SEAL
700	1	*	BRAKE HOUSING
703	1	25347	PLASTIC CAPLUG 1 NPT THR' D
707	1	25339	O-RING -278 12" ID 1/8" CS
712	1	20451	BRAKE SPACER
713	6	25305	DIVIDER PLATE
715	5	25304	FRICTION PLATE
719	1	25336	CIRCLIP ROTOR CLIP SH-187
720	1	20446	BRAKE HUB
722	1	20455	SPRAG CLUTCH ALIGNER
723	1	25303	SPRAG CLUTCH
724	1	20421	SPRAG CLUTCH ALIGNER
727	1	25335	CIRCLIP ROTOR CLIP SH-196
745	1	25388	PLASTIC CAPLUG 1/2 NPT
750	1	20397	PISTON
751	1	25343	O-RING -90 DURO -451 11" ID 1/4" CS
752	14	20413	BRAKE SPRING
753	1	25342	O-RING -90 DURO -452 11-1/2" ID 1/4" CS
		23148	WINCH SEAL KIT, CONSISTS OF ITEMS: 105, 123, 265, 531, 539, 601,606, 607, 707, 735, 751, 753 AND 801
			* This part varies according to drum code.

Refer to PAGE 21 for ASSEMBLY DRAWING.

BRAKE GROUP

G1065-B

⚠ **NOTE:** Item number may be 529 in PARTS REFERENCE



Group drawings may reference more parts than are actually present in a specific assembly. Parts that are referenced on the drawing but are not on the PARTS REFERENCE list should be ignored.

PARTS REFERENCE - MOTOR GROUP

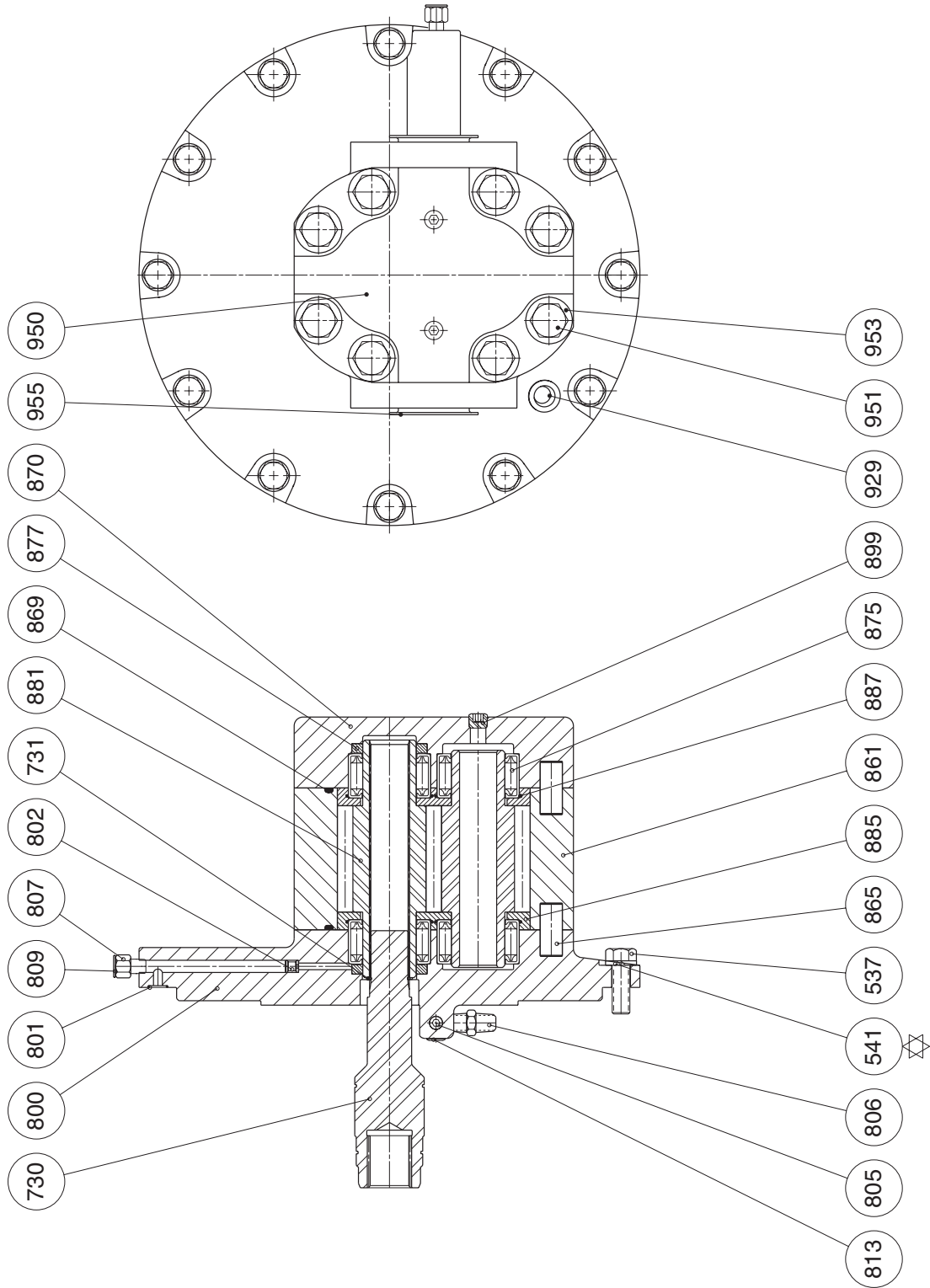
ITEM NO.	QTY.	PART NO.	DESCRIPTION
537	12	25081	CAPSCREW - HEX HEAD 1/2-13NC X 1.5 GRADE 5
541	12	25014	LOCKWASHER 1/2"
730	1	20415	MOTOR DRIVE SHAFT
731	1	25288	CIRCLIP ROTOR CLIP C-112
800	1	20401	MOTOR ADAPTOR
801	3	25127	O-RING -013 7/16" ID 1/16" CS
802	1	*	*
805	2	25040	PIPE PLUG 1/8 - 27 NPT
806	1	*	*
807	1	*	*
809	1	*	*
813	1	25031	PIPE PLUG 1/4 - 18 NPT
861	1	25350	GEAR HOUSING -086
865	4	25356	DOWEL PIN
869	2	25348	SEAL - GASKET
870	1	21761	PORT END COVER
875	4	25352	BEARING - ROLLER
877	2	25646	RING SEAL
881	1	25645	GEAR SET -086
885	2	25644	THRUST PLATE
887	4	25647	TEFLON SEAL
899	2	25031	PIPE PLUG 1/4 - 18 NPT
929	1	*	*
950**	1	*	SUB - ASSY MOTOR -086
951	8	25357	CAPSCREW - HEX HEAD 5/8 X 6.75 GRADE 5
953	8	25325	WASHER
955	2	25559	PLASTIC CAPLUG 2.0"
		23117	MOTOR SEAL KIT, CONSISTS OF ITEMS: 869, 877 AND 887
			* These part numbers and descriptions vary according to brake code. Refer to APPENDIX C.
			** ITEM 950, MOTOR SUB-ASSY, CONSISTS OF ITEMS: 800, 802, 803, 804, 805, 807, 809, 861, 865, 869, 870, 875, 877, 881, 885, 887, 899, 929, 951, 953 AND 955

Refer to PAGE 24 for winch seal kit and PAGE 21 for ASSEMBLY DRAWING.

MOTOR GROUP

G1002-D

⚠ NOTE: Item number may be 529 or 773 in PARTS REFERENCE

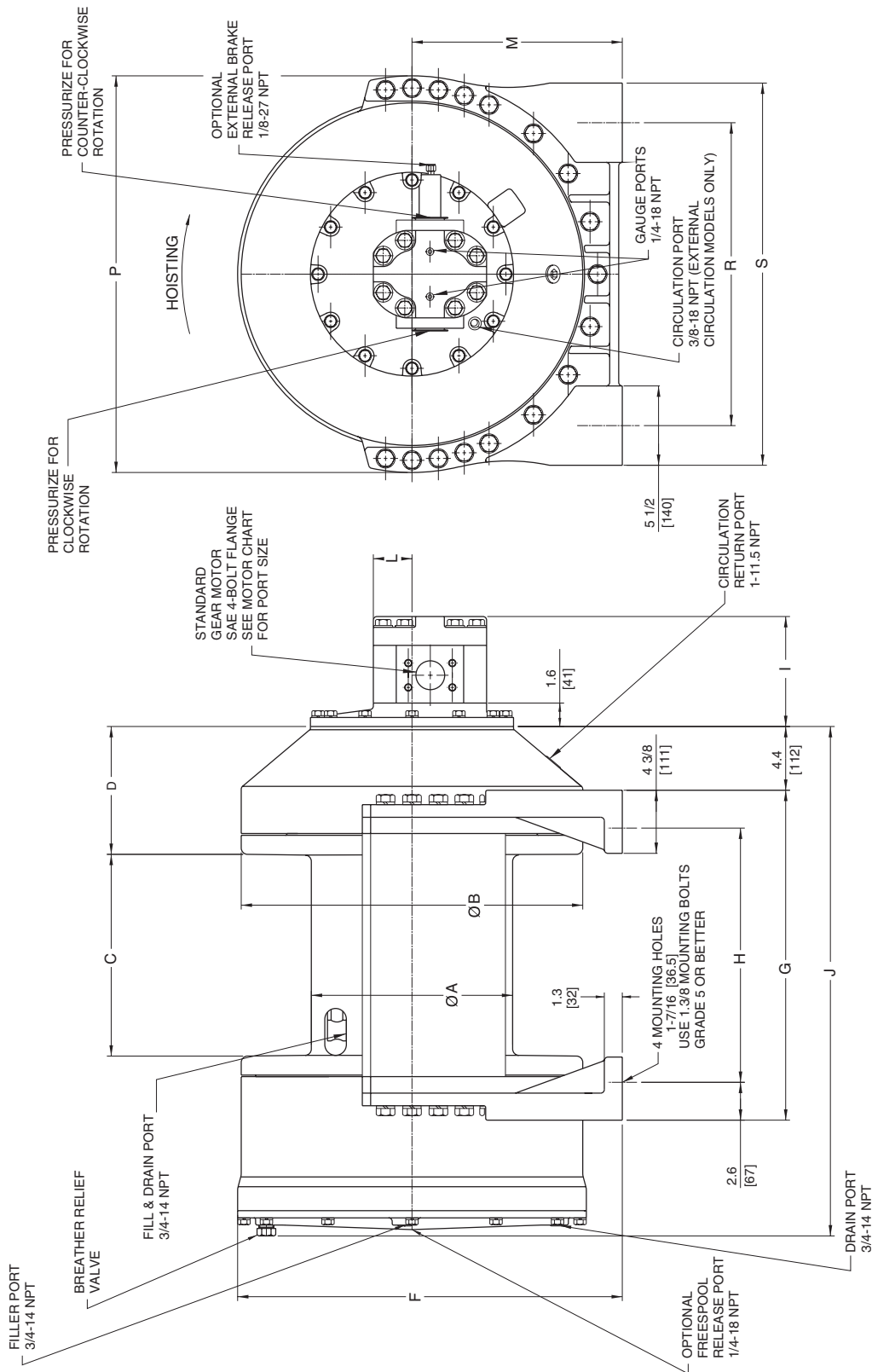


Group drawings may reference more parts than are actually present in a specific assembly. Parts that are referenced on the drawing but are not on the PARTS REFERENCE list should be ignored.

INSTALLATION DRAWING

I1029-1-G

FOR SAFETY: A minimum of 5 wraps of wire rope must be maintained at all times!



Standard cable anchor is suitable for 3/4" to 1 1/4" diameter wire rope.

INSTALLATION DIMENSIONS

**Dimensions in inches
(Dimensions in millimeters)**

I1029-2-G

DRUM CODE	A	B	C	D	E	F	G	H	J	M	P	R	S	Z
- 1	14.0 (356)	23.8 (603)	14.0 (356)	8.9 (225)	26.5 (673)	26.8 (681)	22.9 (581)	17.625 (447.68)	35.3 (897)	14.63 (371.5)	27.5 (699)	21.000 (533.40)	26.5 (673)	5.5 (140)
- 2	18.0 (457)	30.0 (762)	22.0 (559)	8.9 (225)	30.5 (775)	30.5 (775)	30.9 (784)	25.625 (650.88)	43.3 (1100)	15.50 (393.7)	33.1 (841)	24.000 (609.60)	30.0 (762)	6.0 (152)
- 13	14.0 (356)	36.0 (914)	36.0 (914)	9.5 (241)	36.5 (927)	36.5 (927)	46.0 (1169)	40.768 (1035.49)	58.4 (1483)	18.50 (469.9)	39.1 (994)	30.000 (762.00)	36.0 (914)	6.0 (152)
- 29	14.0 (356)	24.0 (610)	22.0 (559)	8.9 (225)	26.6 (676)	26.8 (679)	31.1 (791)	25.625 (650.88)	43.3 (1100)	14.63 (371.5)	27.5 (699)	21.000 (533.40)	26.5 (673)	5.5 (140)
- 32	14.0 (356)	30.0 (762)	22.0 (559)	8.9 (225)	30.5 (775)	27.6 (702)	31.1 (791)	25.625 (650.88)	43.3 (1100)	15.50 (393.7)	33.1 (841)	24.000 (609.60)	30.0 (762)	6.0 (152)

**Dimensions in inches
(Dimensions in millimetres)**

HYDRAULIC MOTORS									
<i>COMMERCIAL WM76 SERIES</i>					<i>COMMERCIAL M365 SERIES</i>				
MOTOR CODE	GEAR WIDTH	MOTOR PORT SIZE SAE4-BOLT FLANGE	I	L	MOTOR CODE	GEAR WIDTH	MOTOR PORT SIZE SAE4-BOLT FLANGE	I	L
- 86	3.00 (76.2)	2.0 CODE 61	7.6 (194)	2.7 (68)	- 42	2.50 (63.5)	1.5 CODE 61	8.0 (203)	2.5 (64)
- 87	2.75 (69.9)		7.4 (187)	2.7 (68)	- 101	2.25 (57.2)		7.8 (197)	2.5 (64)
- 88	2.50 (63.5)	1.5 CODE 61	7.1 (181)	2.7 (68)	- 102	2.00 (50.8)		7.5 (191)	2.5 (64)
- 89	2.25 (57.2)		6.9 (175)	2.7 (68)					
- 90	2.00 (50.8)		6.6 (168)	2.7 (68)					
- 91	1.75 (44.5)	1.25 CODE 61	6.4 (162)	2.7 (68)					
- 92	1.50 (38.1)		6.1 (156)	2.7 (68)					
- 93	1.25 (31.8)		5.9 (149)	2.7 (68)					
- 94	1.00 (25.4)	1.00 CODE 61	5.6 (143)	2.7 (68)					
-207	3.00 (76.2)	1.5 CODE 61	7.6 (194)	2.7 (68)					

APPENDIX A

DRUM CODE	CABLE DRUM SIZES INCHES (MILLIMETERS)			WIRE ROPE STORAGE FEET (METERS)			LINE PULL AT MAXIMUM PRESSURE*		LINE SPEED AT MAXIMUM VOLUME*		LUBRICATING OIL VOLUME REQUIRED U.S. GALLONS (LITERS)
	BARREL	FLANGE	LENGTH	1 1/4 inch	1 1/8 inch	1 inch	BARE DRUM	FULL DRUM	BARE DRUM	FULL DRUM	
-1	14.0 (356)	23.8 (603)	14.0 (356)	177 (54)	195 (60)	276 (84)	50000 (222.4)	33889 (150.7)	69 (21)	102 (31)	7.0 (26)
-2	18.0 (457)	30.0 (762)	22.0 (559)	440 (134)	605 (184)	654 (199)	39610 (176.2)	26522 (118.0)	88 (27)	131 (40)	12.7 (48)
-13	14.0 (356)	36.0 (914)	36.0 (914)	1503 (458)	1858 (566)	2221 (677)	50000 (222.4)	21942 (97.6)	69 (21)	158 (48)	12.0 (45)

* Performance specifications are based on standard hydraulic motor with 1 1/4 inch diameter rope.

APPENDIX B

ITEM NO.	PART DESCRIPTION	DRUM CODE		
		- 1	- 2	- 13
		PART NUMBER (QUANTITY)		
100	FINAL HOUSING	21024 (1)	21025 (1)	21025 (1)
260	FREESPOOL COUPLING	21314 (1)	21349 (1)	21518 (1)
500	CABLE DRUM	21318 (1)	21348 (1)	21515 (1)
553	3/4" LOCKWASHER	25299 (34)	25299 (54)	25299 (54)
554	BASE PLATE	21007 (2)	21045 (2)	21517 (2)
555	CAPSCREW	25682 (20)	25564 (40)	25564 (40)
556	TIE BAR	21013 (2)	21049 (2)	21516 (2)
700	BRAKE HOUSING	20997 (1)	20998 (1)	20998 (1)

APPENDIX C

BRAKE CODE

ITEM NO.	PART DESCRIPTION	- 3	- 4	- 5	- 6	- 7	- 8	- 9	- 10
		PART NUMBERS							
802	SHUTTLE	N/A	20849	20849	N/A	N/A	20849	20849	N/A
806	CIRCULATION VALVE	20456	20456	20456	20456	N/A	N/A	N/A	N/A
806	1/4-18 NPT PIPE PLUG	N/A	N/A	N/A	N/A	25031	25031	25031	25031
807	1/8-27 NPT PIPE PLUG	25040	N/A	N/A	25040	25040	N/A	N/A	25040
807	1/8-27 NPT PIPE ADAPTOR	N/A	25622	25622	N/A	N/A	25622	25622	N/A
809	1/8 NPT CAPLUG	N/A	25374	25374	N/A	N/A	25374	25374	N/A
929	3/8-18 NPT PIPE PLUG	25085	25085	25085	25085	N/A	N/A	N/A	N/A
929	3/8 NPT CAPLUG	N/A	N/A	N/A	N/A	25393	25393	25393	25393
950	MOTOR SUB-ASSY	20504	22011	22012	20804	20505	21977	22013	20805

BOLT TORQUE CHART

BOLT DIAMETER Inches	TORQUE Lb-ft	TORQUE Nm
1/4	9	12
5/16	18	24
3/8	32	43
7/16	50	68
1/2	75	102
9/16	110	149
5/8	150	203
3/4	265	359
7/8	420	569
1	640	868
1 1/8	800	1085
1 1/4	1000	1356
1 3/8	1200	1627
1 1/2	1500	2034

NOTE: Unless otherwise specified, torque bolts per above chart.