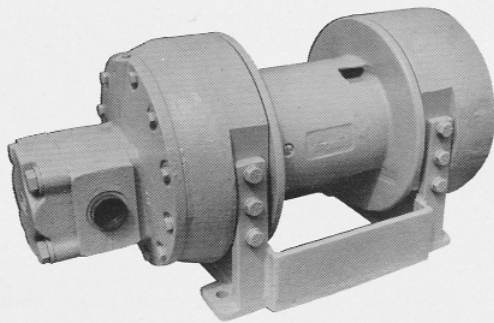


M8

PLANETARY, HYDRAULIC WINCH



EQUAL SPEED
EQUALS TURNS



MASTER 

THE LOGICAL CHOICE

MODEL M8 PLANETARY HYDRAULIC WINCH

DESCRIPTION

The **PULLMASTER** Model M8 is a high performance, high efficiency planetary winch having equal speed in forward and reverse direction of rotation. The automatic multi-disc type brake of this unit is effective in one direction only and achieves an exceptionally smooth lowering control of the maximum load in a stepless operation. The **PULLMASTER** Model M8 is powered by a hydraulic gear motor and the required reduction ratio of 34:1 is established by two planetary stages.

The hydraulic motor drives direct into the planetary reductions. An over-running clutch installed between the drive shaft and the brake assembly, permits free rotation in the "hoisting" direction without affecting the brake. During "lowering" operation the over-running clutch locks causing the brake disc to rotate between a series of divider plates. Dynamic braking is then achieved by modulation of the winch control handle. When the control is returned to neutral position, the brake applies automatically.

A counter-balance valve or brake valve is not required for smooth and positive "Down" control of the **PULLMASTER** Model M8 planetary winch.

All moving parts of the **PULLMASTER** Model M8 planetary winch are totally enclosed and run in an oil bath. Anti-friction bearings are used on all turning components, assuring a long, trouble free service with a minimum requirement for maintenance.

OPTIONS

DRUM SIZES: Different drum sizes are available to provide for larger cable storage.

REDUCTION RATIOS: The performance can be altered by different reduction ratios.

HYDRAULIC MOTORS: Hydraulic piston motors can be adapted for high pressure hydraulic systems.

EXTERNAL BRAKE RELEASE: This option offers the facility of an independent brake release.

For further optional requirements contact the factory.

PERFORMANCE

- Based on a hydraulic volume of 37 (US) gpm (140 l/min) at 2000 psi (138 bar) hydraulic pressure.
- Drum rpm at maximum oil volume = 59 rpm.
- Drum torque at a maximum pressure = 31875 lb-in (3601 Nm).

MODEL NUMBER	BARE DRUM		MEAN DRUM		FULL DRUM	
	LINE PULL	LINE SPEED	LINE PULL	LINE SPEED	LINE PULL	LINE SPEED
M8-3-30-1	8500 lb	116 fpm	7148 lb	143 fpm	5795 lb	170 fpm
	37.8 kN	35 m/min	31.8 kN	44 m/min	25.8 kN	52 m/min

- Optional drum sizes and reduction ratios may change the performance.

- The volumetric requirements for the **PULLMASTER** Model M8 planetary winch are the recommended maximums and should not be exceeded.

When the winch is installed in existing hydraulic circuits with a lesser oil volume and/or lower pressure, the performance will change accordingly. Performance graphs for line speed vs. oil volume and line pull vs. hydraulic pressure are available upon request.

CABLE STORAGE

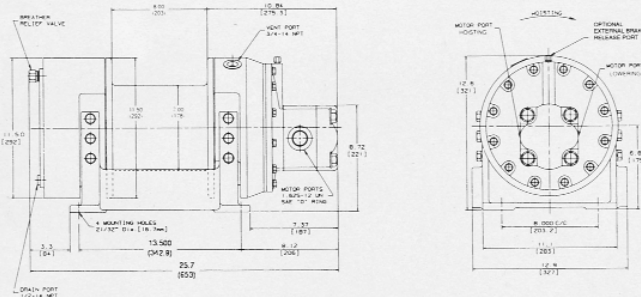
CABLE STORAGE CAPACITY FOR WIRE ROPE

MODEL NUMBER	DRUM SIZE			WIRE ROPE DIAMETERS								*RTF	
	BARREL	FLANGE	LENGTH	1/8"	3/16"	1/4"	5/16"	3/8"	7/16"	1/2"	9/16"	5/8"	
M8-3-30-1	78 mm	11.50"	8"	2115 ft	959 ft	532 ft	359 ft	227 ft	166 ft	152 ft	108 ft	101 ft	
	178 mm	292 mm	203 mm	645 m	292 m	162 m	109 m	69 m	51 m	46 m	33 m	31 m	

* REFER TO FACTORY PRIOR TO USING THESE WIRE ROPE SIZES

The cable anchor of the **PULLMASTER** Model M8 planetary winch is not designed to hold the rated maximum load. The cable drum requires 3 to 4 wraps of wire rope for security. Contact factory for cable drums with a larger storage capacity.

DIMENSIONS



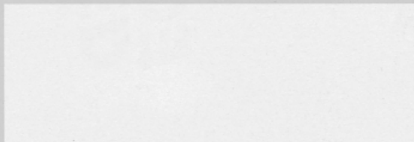
PULLMASTER planetary winches are covered by a liberal warranty. Parts and Repair Service are available from authorized **PULLMASTER** distributors throughout Canada, the United States and in most over-seas areas.

IMPORTANT

PULLMASTER planetary winches are neither designed nor intended for installation on equipment used in lifting or moving of personnel.

PULLMASTER planetary winches are available for different lifting capacities and also with "RAPID REVERSE" feature providing for reversing speeds faster than forward speed.

DISTRIBUTOR



For more information write to:

PULLMASTER WINCH CORPORATION

8247 - 130 STREET, SURREY, B.C. CANADA V3W 7X4

TELEPHONE: (604) 594-4444 • FAX: (604) 591-7332

http://www.pullmaster.com E-mail: info@pullmaster.com